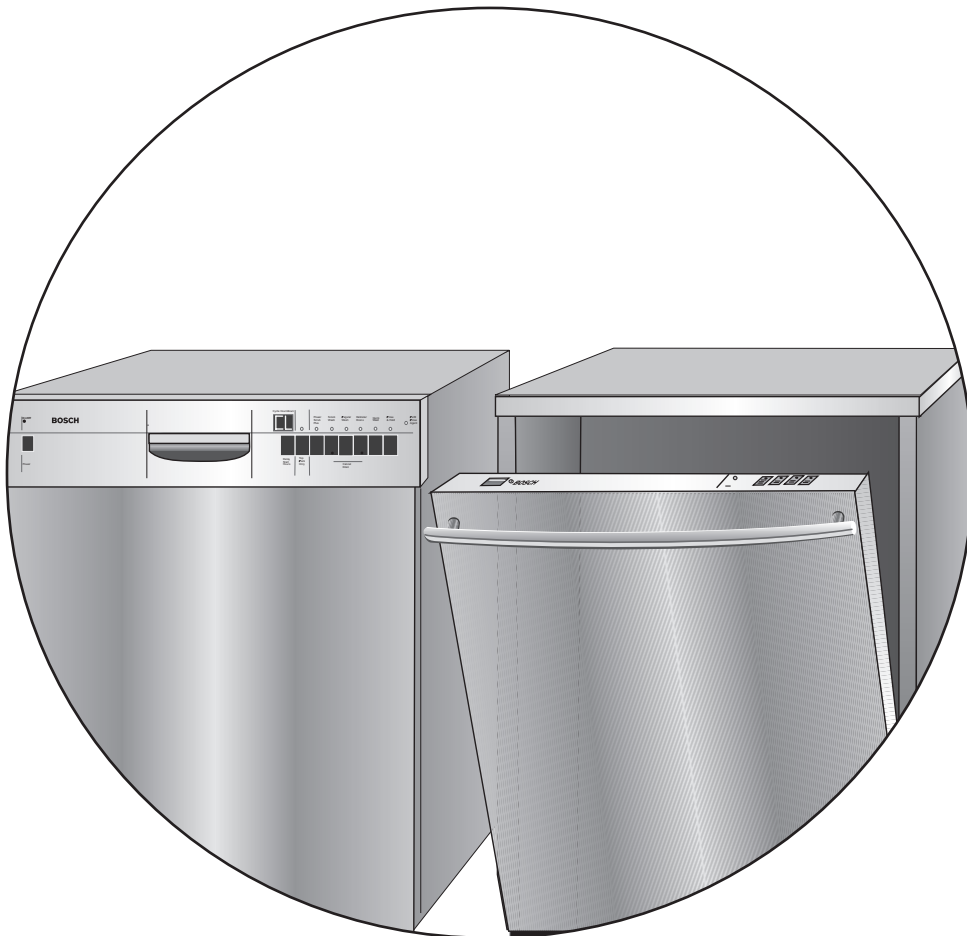


BOSCH

YOUR LIFE. OUR INSPIRATION.

Dishwasher Installation Instructions **Instructions d'installation du lave-vaisselle** **Instrucciones de instalación para lavavajillas**



Use and Care Manual located on reverse side
Tourner le guide pour les instructions d'utilisation et d'entretien
Voltee el manual para encontrar las instrucciones de uso y cuidado

9000060331 (8503)



Table of Contents

IMPORTANT INSTRUCTIONS	1	Placing the Dishwasher	10
Tools Needed	2	Securing the Dishwasher	10
Materials Needed	2	Drain Hose Connection	11
Materials Supplied	3	Hot Water Connection	12
Enclosure Preparation	4	Electrical Connection	13-14
Electrical Preparation	5	Door Tension Adjustment	14
Plumbing Preparation	6-7	Base and Toe Panel	14-15
Dishwasher Preparation	7-8	Final Instructions	15
Door Panel Installation	9	Customer Service	16

Important Safety Instructions

⚠ WARNING

To avoid possible injury or property damage, OBSERVE ALL WARNINGS AND CAUTIONS. These instructions are intended for use by qualified installers only.

The dishwasher must be installed by a qualified service technician.

- In addition to these instructions, the dishwasher shall be installed to meet all electrical and plumbing codes and ordinances (both national and local).

Read these installation instructions completely and follow them carefully. They will save you time and effort and help to ensure safety and optimum dishwasher performance.

CAUTION

If the dishwasher is installed in a location that experiences freezing temperatures (e.g., in a holiday home), you must drain all the water from the dishwasher's interior. Water system ruptures that occur as a result of freezing are not covered by warranty.

IMPORTANT

- The dishwasher drain hose must be installed with a portion of it at least 20" (508mm) off the cabinet floor; otherwise the dishwasher may not drain properly.
- This dishwasher is intended for residential use only, and should not be used in commercial food service establishments.
- **NEW INSTALLATION** - If the dishwasher is a new installation, most of the work must be done before the dishwasher is moved into place.
- **REPLACEMENT** - If the dishwasher is replacing another dishwasher, check the existing dishwasher connections for compatibility with the new dishwasher, and replace parts as necessary.

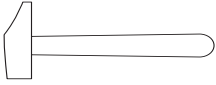
Inspect the Dishwasher

After unpacking the dishwasher and prior to installation, thoroughly inspect the dishwasher for possible freight or cosmetic damage. Report any damage immediately. Cosmetic defects must be reported within 5 days of installation.

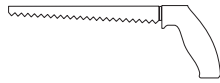
NOTE: Do not discard any bags or items that come with the original package until after the entire installation has been completed.

Tools and Materials Needed

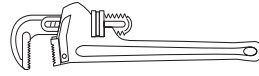
TOOLS NEEDED



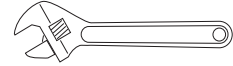
Hammer



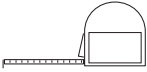
Hole Saw



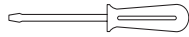
Pipe Wrench



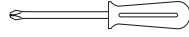
Adjustable Wrench



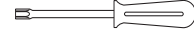
Tape Measure



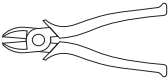
Slot Screwdriver



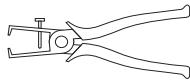
Phillips Screwdriver



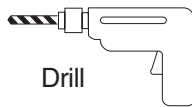
Torx Screwdriver



Wire Cutter



Wire Stripper



Drill



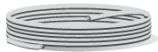
Level

MATERIALS NEEDED

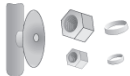
(Additional materials may be required to comply with local codes.)



Electrical Supply Cable - Minimum #14 AWG, 2 conductor, 1 ground, insulated copper conductors rated 75°C or higher.



Hot Water Supply Line - Minimum 3/8" O.D. copper tubing or metal braided dishwasher supply line.



Shut-off valve and fittings appropriate for hot water supply line (copper tubing/compression fitting, or braided hose).



90° elbow with 3/8" N.P.T. male threads on one leg, and sized to fit your water supply line (copper tubing/compression fitting, or braided hose) on the other leg.



Teflon tape or other pipe thread compound to seal plumbing connections.



UL listed conduit connector or strain relief.

C



...C, and
...ise reducing
hardware:
...the use

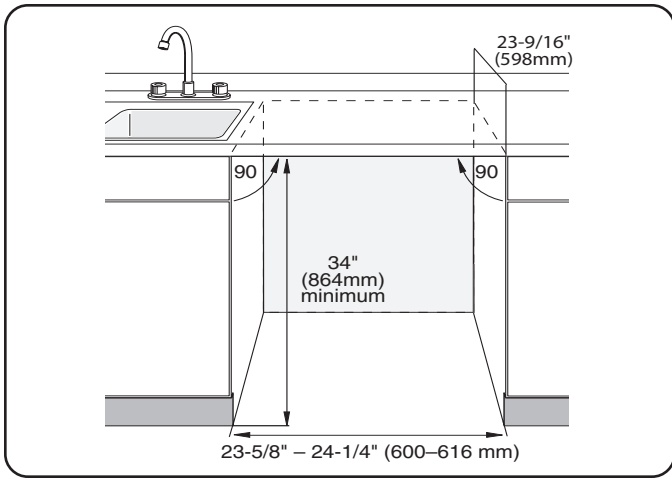


Figure 1

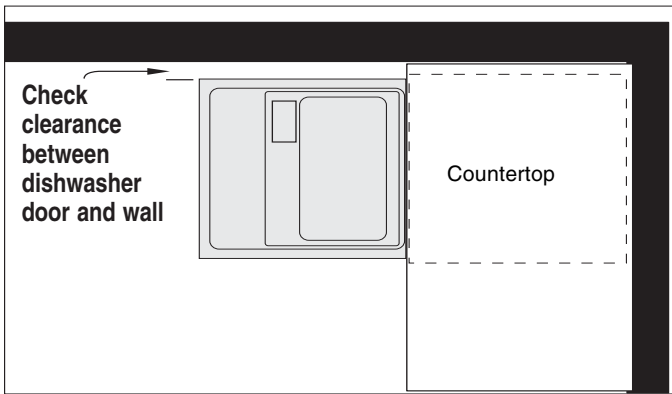


Figure 2

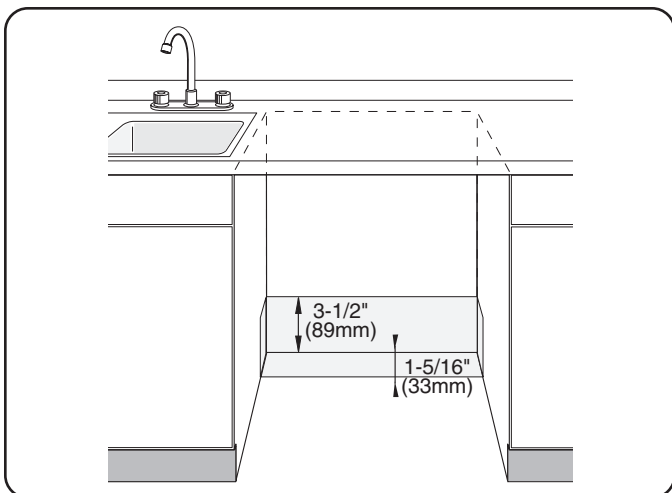


Figure 3

⚠ WARNING

Electrical Shock Hazard

To avoid electrical shock, make sure the water supply and electrical supply are shut off before installation or service.

ENCLOSURE PREPARATION

NOTE: This dishwasher is designed to be enclosed on the top and both sides by standard residential kitchen cabinetry.

Select a location as close to the sink as possible for easy access to water supply and drain lines.

For proper dishwasher operation and appearance, ensure that the enclosure is square and has the dimensions shown in **Figure 1**.

If the dishwasher is to be installed in a corner, make sure that there is adequate clearance to open the door. See **Figure 2**.

⚠ WARNING

Electrical Shock/Fire Hazard

To avoid electric shock or fire, do not allow the electrical and water supply lines to touch. Separate channels are provided under the dishwasher (see page 10).

If the enclosure requires openings for the electrical supply cable, hot water supply line, and dishwasher drain hose, place them within the dimensions shown by the shaded area of **Figure 3** to avoid interference with the dishwasher frame or other components. Make the openings for the electrical supply cable and hot water supply line 1" (25.4mm) diameter. Make the opening for the dishwasher drain hose 1-1/4" (32mm) diameter. If the openings are made through wood, sand them smooth. If the openings are made through metal, make them large enough to accommodate grommets or other protective sheaths with inside diameters of 1" (25.4mm) for the electrical supply cable and the hot water supply line, and 1-1/4" (32mm) for the dishwasher drain hose.

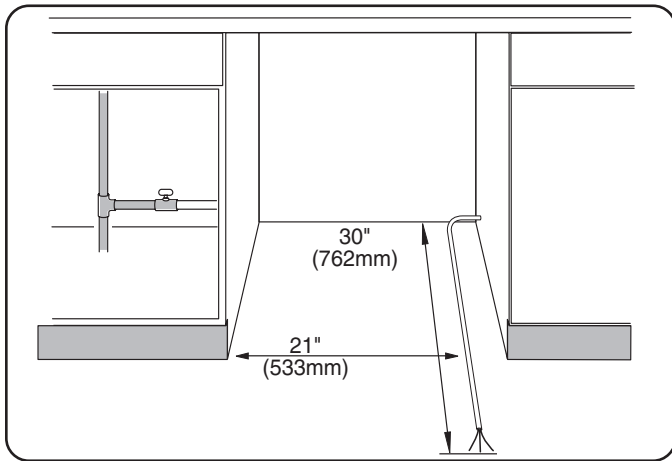


Figure 4

Dishwasher Electrical Rating

Volts	Hertz	Amperes	Watts
120	60	15	1,450 (max)

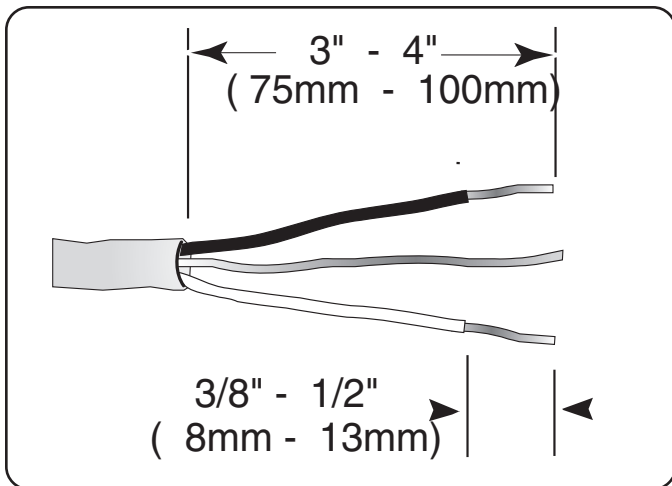


Figure 5

ELECTRICAL PREPARATION

⚠ WARNING

Electrical Shock Hazard

To avoid electrical shock, do not work on an energized circuit. Doing so could result in serious injury or death. Only qualified electricians should perform electrical work. Do not attempt any work on the dishwasher electric supply circuit until you are certain the circuit is de-energized.

⚠ WARNING

Fire Hazard

To avoid a fire hazard, make sure electrical work is properly installed. Only qualified electricians should perform electrical work.

Electrical Supply

The customer has the responsibility of ensuring that the dishwasher electrical installation is in compliance with all national and local electrical codes and ordinances. The dishwasher is designed for an electrical supply of 120V, 60 Hz, AC, connected to a dishwasher-dedicated, properly grounded electrical circuit with a fuse or breaker rated for 15 amps. Electrical supply conductors shall be a minimum #14 AWG copper wire rated at 75°C or higher.

Regardless of where the electrical supply cable enters the enclosure (following the guidelines on page 8), position the cable 21" (533mm) from the enclosure's left side, as shown in **Figure 4**. Extend the cable 30" (762mm) from the enclosure's back, as shown in **Figure 4**.

Remove 3" - 4" (75mm - 100mm) of the cable's outer casing, as shown in **Figure 5**, then remove 3/8" - 1/2" (9 - 13mm) of insulation from each wire, as shown in **Figure 5**.

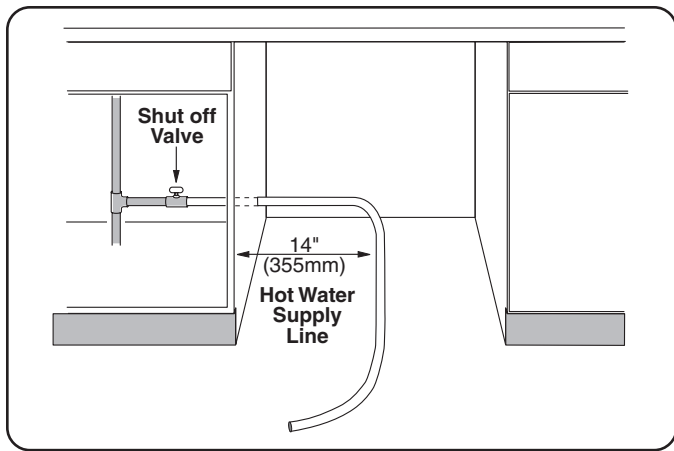


Figure 6

PLUMBING PREPARATION

Scald Hazard

To avoid being scalded, do not perform any work on a charged hot water line. Serious injury could result. Only qualified plumbers should perform plumbing work. Do not attempt any work on the dishwasher hot water supply plumbing until you are certain the hot water supply is shut off.

Hot Water Supply

The hot water heater should be set to deliver approximately 120° F (49° C) water to the dishwasher. Water that is too hot can cause some detergents to lose

PLUMBING PREPARATION (continued)

Drain Plumbing

Under Sink Drain Connection

If the dishwasher is to drain either directly into the household drain plumbing or through an air gap, install a y-branch tailpiece under the sink as shown in **Figure 7**.

Installing an Air Gap

If local ordinances require an air gap, as shown in **Figure 8**, install it according to the manufacturer's instructions.

Disposer

Make sure to remove the disposer's dishwasher drain connection plug before connecting the dishwasher drain hose. See **Figure 9**.

DISHWASHER PREPARATION

Dishwasher preparation involves four tasks:

- Installing the Mounting Brackets
- Removing the Toe Panel
- Installing the 90° elbow fitting
- Junction Box Preparation

Installing the Countertop Mounting Brackets

DISHWASHER PREPARATION (continued)

Removing the Toe Panel

Regular Toe Panel

The toe panel is loosely attached with tape. Remove the tape and pull the toe panel away from the dishwasher. Set the toe panel aside. It will be reinstalled later.

Plastic Base Access Panel and Toe Panel (SHY66C, SHX99A, SHE66C, SHE99C, SHX57C, and SHV57C models only)

The plastic base access panel and toe panel are in place on the dishwasher, but are not attached. Remove the toe panel first, as shown in **Figure 11**, then remove the plastic base access panel, as shown in **Figure 11**.

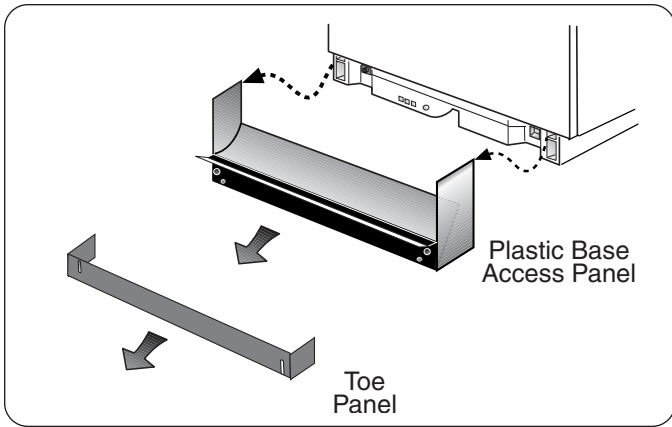


Figure 11

Installing the 90° Elbow Fitting

NOTE: The 90° elbow fitting is **not** supplied with the dishwasher, and must be purchased separately. If the dishwasher's hot water supply line is to be copper tubing, make certain the elbow has a compression fitting. Apply Teflon tape or other pipe sealant when required. Orient the hot water supply connection leg of the elbow toward the channel opening in the dishwasher base. See **Figure 12**.

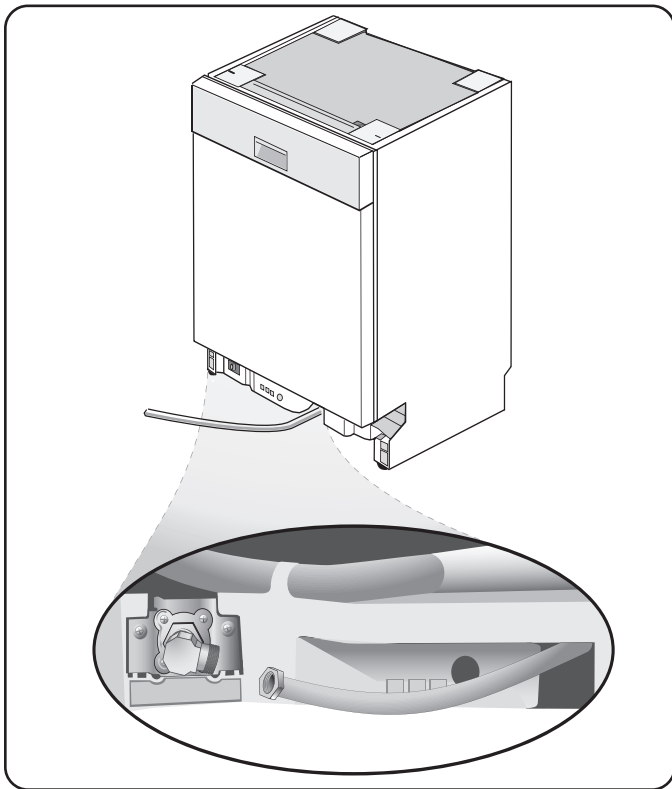


Figure 12

Junction Box Preparation

- 1 Remove junction box cover (see **Figure 13**) by lifting the junction box cover up and off.
- 2 Remove the strain relief plate by removing the screw at the back of the junction box, as shown in **Figure 14** and sliding the strain relief plate out.
- 3 Set the junction box cover, strain relief plate, and screw aside. They will be re-installed later.

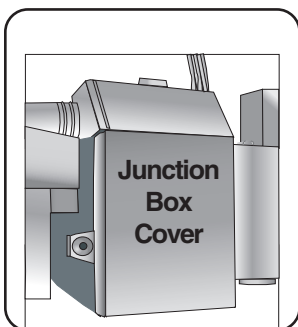


Figure 13

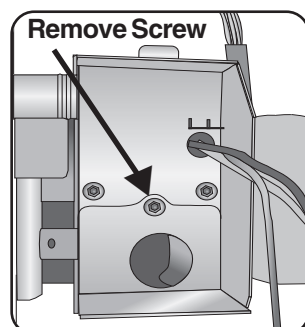


Figure 14

DOOR PANEL INSTALLATION

SHU/SHE Models - Accessory Panel Installation

If you have an SHU/SHE model and have ordered an accessory panel kit, install the panel prior to sliding the dishwasher into place. The panel dimensions are shown in Figure 15.

SHI Models - Panel Installation

SHI models come with additional mounting hardware and a template sheet with installation instructions. The stainless steel models of the SHI series also come with two extension pieces. The extension pieces are used to match the control panel height (Figure 16, "B" dimension) to the horizontal drawer line of the cabinets, and must be installed as shown in on the template sheet. The standard piece is used for drawer heights up to 6" (152mm); the long piece is used for drawer heights greater than 6" (152mm) but 6-7/16" (164mm) or less. If your drawers are taller than 6-7/16", you can either slide the extension piece in as far as it will go, or remove it and fit the door panel directly below the control panel.

SHI/SHV Models - Panel Installation

SHV models come with additional mounting hardware and a template sheet that will show you how to mount the panel. One side of the template shows how to mount a one piece panel; the other side shows how to mount a two piece panel. Decide which type of installation you want before proceeding with the installation.

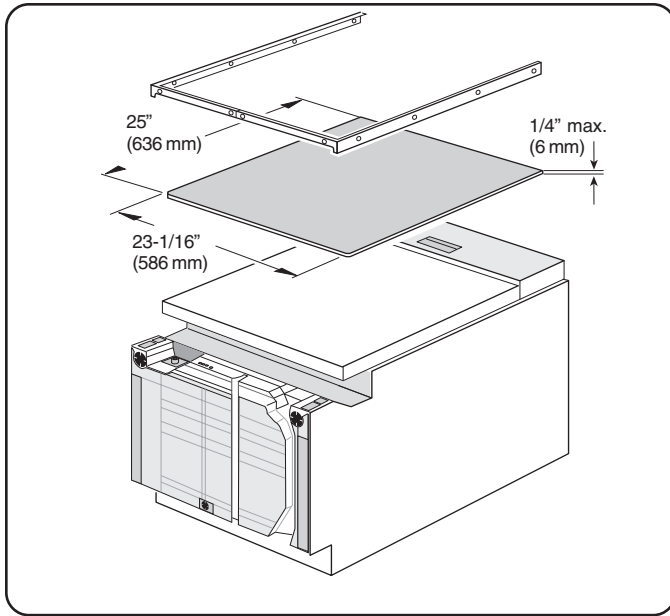


Figure 15

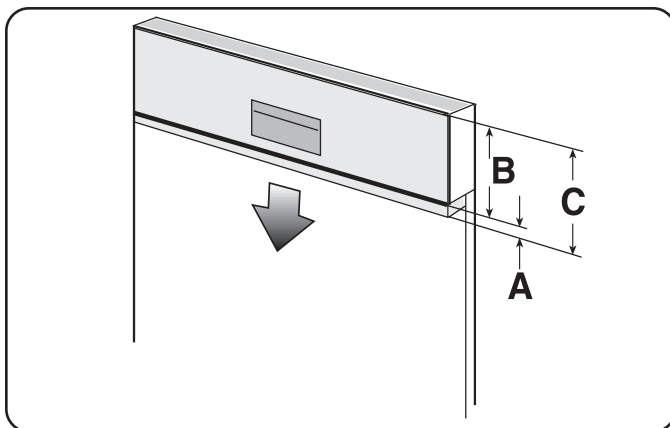


Figure 16

Fig. 16 Dimension	Extension "A" Max. - Min.		"B"	"C" Max.-Min.
	Standard	Long		
SHI Only	5/16 - 11/16" (8-18mm)	11/16 - 1 1/8" (18 - 29mm)	5 5/16" (135mm)	5 5/8 - 6 7/16" (143 - 164mm)

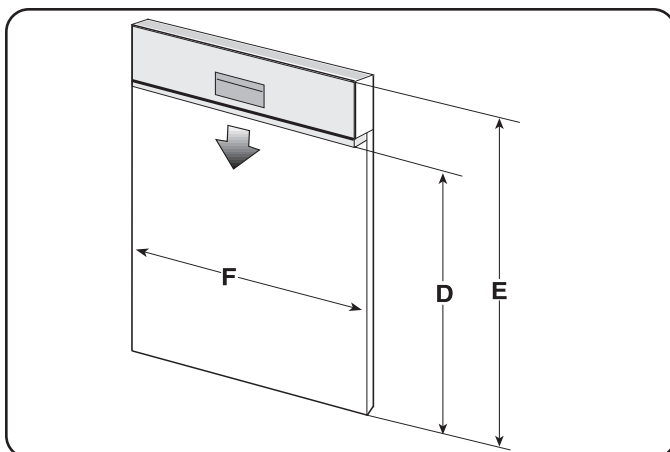


Figure 17

Fig. 17 Dimension	Panel Dimension
D (SHI)	20 11/16" - 25" (526mm - 635mm)
E (SHI & SHV)	27 3/16" - 30 5/16" (690mm - 770mm)
F (SHI & SHV)	23 3/16" - 23 3/8" (589mm - 594mm)

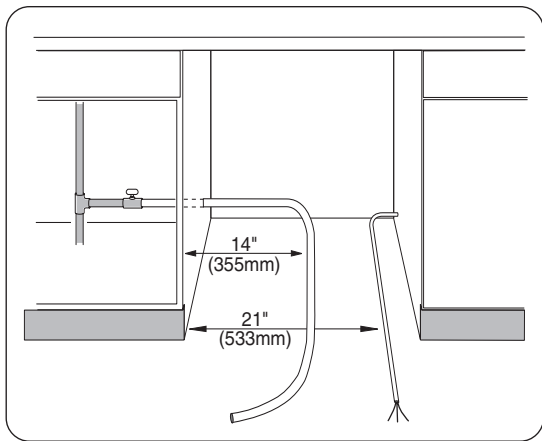


Figure 18

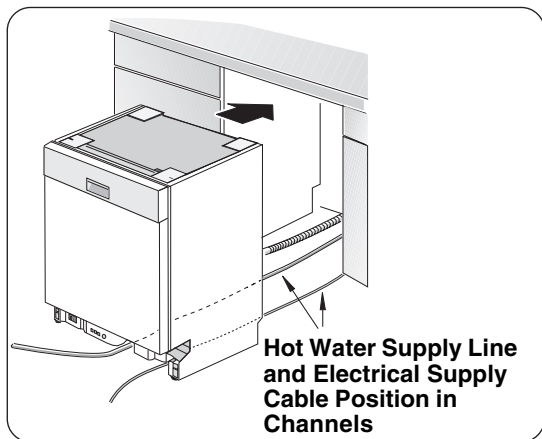


Figure 19

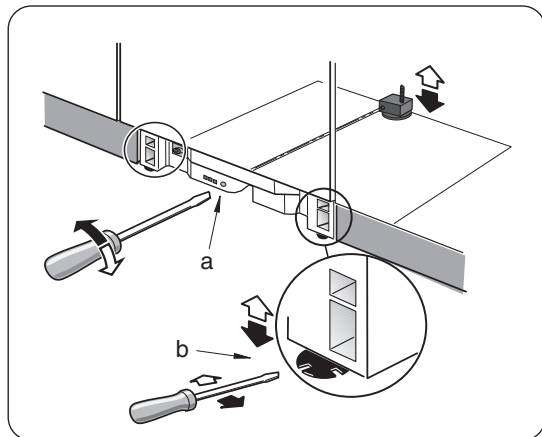


Figure 20

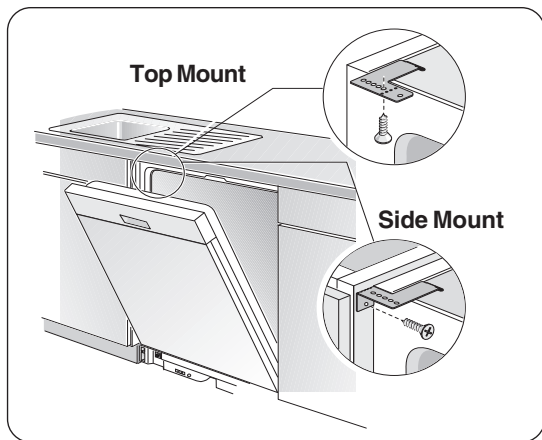


Figure 21

PLACING THE DISHWASHER

- 1 Straighten and position the hot water supply line and the electrical supply cable as shown in **Figure 18** so that they will align with their channels under the dishwasher base.
- 2 Position the dishwasher close enough to the enclosure so that you can run the dishwasher drain hose to the under sink drain connection. Make certain that the hot water supply line and the electrical supply cable are in their channels under the dishwasher base, as shown in **Figure 19**.
- 3 Slide the dishwasher into the opening making sure that the hot water supply line and the electrical supply cable stay in their proper channels.
- 4 Make sure the dishwasher is level. Adjust the rear leveler by turning the center screw at the front of the dishwasher, as shown in **Figure 20a**. Turning the screw clockwise raises the rear of the dishwasher. Adjust the front levelers by turning them with a screwdriver, as shown in **Figure 20b**. Turning the levelers to the right raises the dishwasher. If additional height is needed, shims may be added under the leveler feet.

SECURING THE DISHWASHER

- 1 Drive the mounting screws through the holes in the mounting brackets as shown in **Figure 21** for Top Mount or Side Mount.
- 2 After the unit is installed in the enclosure, leveled and secured, lock the two front leg levelers in place by driving the enclosed leg leveler locking screws into each screw boss located in front of the levelers. See **Figure 22**.
- 3 Tighten screws until they are flush with the surface of the bosses.

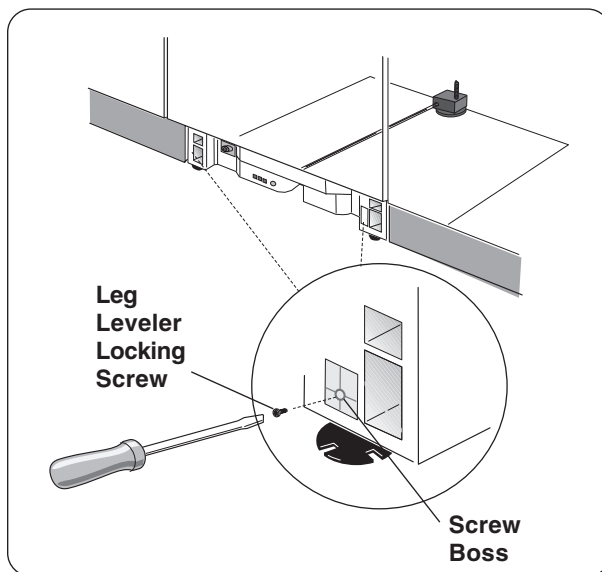


Figure 22

Installation of the Rubber Drain Hose Adaptor

- 1 Obtain the Rubber Drain Hose Adaptor and the two hose clamps from the Dishwasher Installation Kit.
- 2 On one outside end of the Rubber Drain Hose Adaptor is a raised groove. Insert the drain hose into the **end without the raised groove**. Be sure to fully insert the drain hose.
- 3 Secure the connection with the Silver Spring Clamp.
- 4 Use the Gold Screw Clamp to attach the Rubber Drain Hose Adaptor to the house plumbing.

Connecting the Drain Hose to the Household Plumbing

The dishwasher drain hose may be connected to the drain plumbing in one of four ways:

- 1 Directly to the undersink dishwasher drain connection, as shown in **Figure 23**.
- 2 Directly to a disposer dishwasher drain connection, as shown in **Figure 24**.
- 3 To the undersink dishwasher drain connection through an air gap, as shown in **Figure 25**.
- 4 To a disposer dishwasher drain connection through an air gap, as shown on **Figure 26**.

Information on installing air gaps and disposers can be found in the **Plumbing Preparation** section of this manual.

NOTE: If the dishwasher drain hose is to be connected to a disposer dishwasher drain connection, remove the plug from the disposer's dishwasher drain connection. Use the supplied Rubber Drain Hose Adaptor and Drain Hose Clamps to connect the dishwasher drain hose to the plumbing drain connection. Use the spring clamp to secure the Rubber Drain Hose Adaptor to the dishwasher drain hose. Use the screw clamp to secure the Rubber Drain Hose Adaptor to the plumbing drain connection.

The dishwasher drain hose must have one place along its length that is securely attached 20 inches above the cabinet floor.

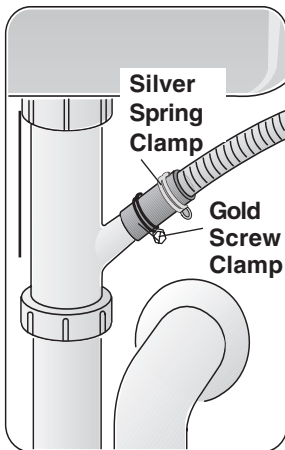


Figure 23

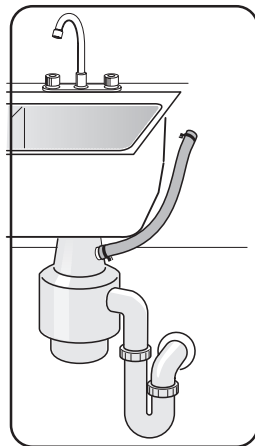


Figure 24

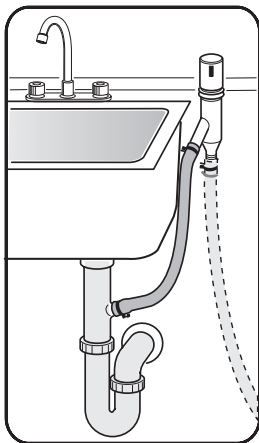


Figure 25

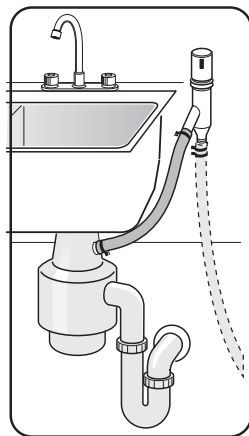


Figure 26

HOT WATER CONNECTION

⚠ WARNING

Scald Hazard

To avoid being scalded, do not perform any work on a charged hot water line. Serious injury could result. Only qualified plumbers should perform plumbing work. Do not attempt any work on the dishwasher hot water supply plumbing until you are certain the hot water supply is shut off.

NOTE: Make certain that the correct 90° elbow fitting (not supplied) for the hot water supply line has been purchased and installed on the dishwasher as described in the Dishwasher Preparation section of this manual. The hot water supply line may be connected to the dishwasher in one of two ways:

- 1 With braided hose.
- 2 With copper tubing.

Braided Dishwasher Supply Hose

After connections are made turn on the hot water supply to check for leaks.

NOTE: Braided dishwasher supply hoses can also be used to extend pre-existing dishwasher water supply lines.

Copper Tubing

CAUTION

Temperatures required for soldering and sweating will damage the dishwasher's water inlet valve. If plumbing lines are to be soldered or sweated, keep the heat source at least 6 inches (152.4 mm) away from the dishwasher's water inlet valve.

- If using a solder joint instead of a compression fitting, be sure to make all solder connections before connecting the water line to the dishwasher.
- Make certain there are no sharp bends or kinks in the water line that might restrict water flow.
- Be sure to use pipe thread compound or Teflon tape to seal the connection when required.
- Before connecting the copper hot water supply line to the dishwasher, flush it with hot water to clear any foreign material.
- Turn on the water supply to check for leaks after making connections.

NOTE: Do not use pipe sealant on compression fittings.

ELECTRICAL CONNECTION

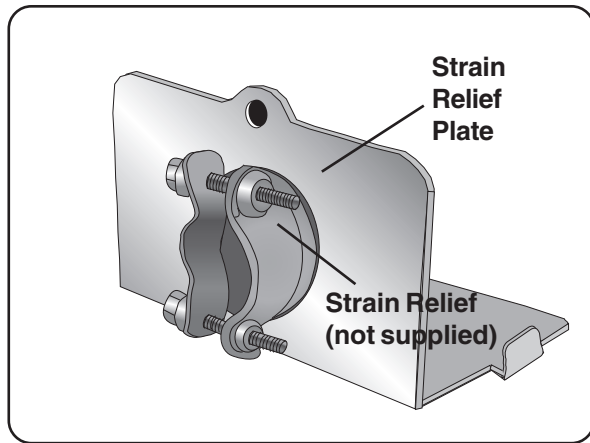


Figure 27

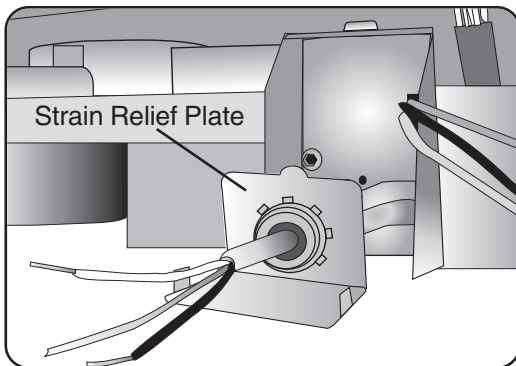


Figure 28

⚠ WARNING

Electrical Shock Hazard

To avoid electrical shock, do not work on an energized circuit. Doing so could result in serious injury or death. Only qualified electricians should perform electrical work. Do not attempt any work on the dishwasher electric supply circuit until you are certain the circuit is de-energized.

⚠ WARNING

Fire Hazard

To avoid a fire hazard, make sure electrical work is properly installed. Only qualified electricians should perform electrical work.

Grounding Instructions

The dishwasher must be properly grounded before operating. This appliance must be connected to a grounded metal permanent wiring system, or an equipment grounding conductor must be run with the circuit conductors and connected to the equipment grounding terminal or lead on the dishwasher. Make sure that the dishwasher is connected to a suitable ground in compliance with all local codes or, in the absence of a local code, with the NATIONAL ELECTRICAL CODE in the United States or the CANADIAN ELECTRIC CODE C22.1-latest edition in Canada as well as any provincial/state or municipal or local codes that apply.

- 1 Retrieve the strain relief plate, and install a strain relief (not supplied) into the opening on the strain relief plate.
NOTE: Orient the strain relief as shown in **Figure 27**.
- 2 Pass the electrical supply cable through the strain relief, as shown in **Figure 28**. Leave 3 - 4 inches of insulated wire extending through the strain relief plate.
- 3 Tighten the strain relief screws.
- 4 Slide the strain relief plate into the junction box, and secure it to the junction box with the supplied screw.

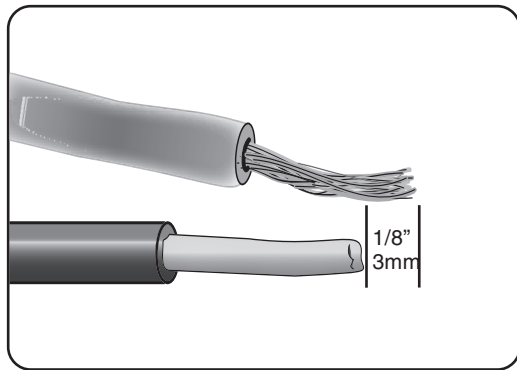


Figure 29

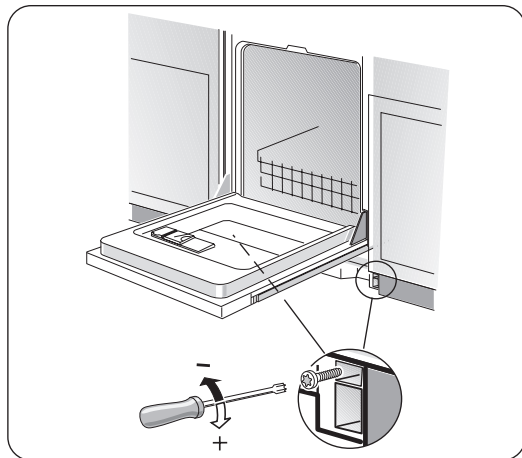


Figure 30

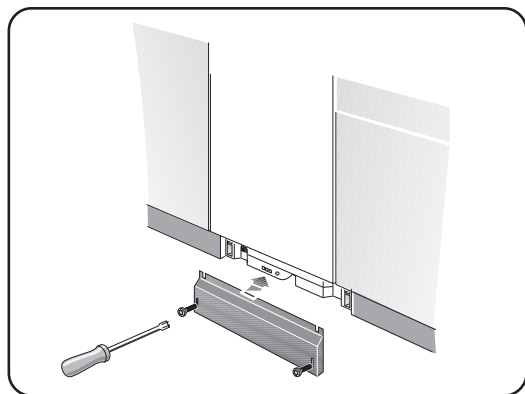


Figure 31

ELECTRICAL CONNECTION (continued)

Fire Hazard

To avoid a fire hazard, make sure there are no loose electrical connections. Make sure all electrical connections are properly made.

- Do not pre-twist the wires before connecting them with wire nuts.
 - Extend the dishwasher's stranded wires 1/8" (3mm) beyond the power supply cable's solid wires, as shown in **Figure 29**.
- 5 Using the supplied wire nuts, connect the electrical supply wires to the dishwasher's wires, black to black, white to white, and green or bare. Make certain that the insulated wires show no bare wire from the bottoms of the wire nuts. Gently tug the wires to make certain they are securely connected.
 - 6 Press the wires into the junction box. Make certain that the wire nuts do not loosen.
 - 7 Place the cover on the junction box and secure it to the junction box with the supplied screw.

DOOR TENSION ADJUSTMENT (only on SHI and SHV models with custom door panels)

After the dishwasher and custom door panel are installed, open and close the door several times to make sure that it does so with ease. If the door closes too quickly, the spring tension needs to be adjusted.

To Adjust the Spring Tension:

- 1 Obtain the provided Spring Tension Screws from the SHI/SHV Door Panel Installation Kit.
- 2 Insert the screws as shown in **Figure 30**. Turning the screw clockwise increases the spring tension.

TOE PANEL INSTALLATION

Regular Toe Panel Installation

Use the toe panel screws from the Dishwasher Installation Kit and a Torx screwdriver to install the toe panel as shown in **Figure 31**.

BASE AND TOE PANEL (Continued)

Plastic Base Access Panel and Toe Panel Installation (SHY66C, SHX99A, SHE66C, SHE99C, SHX57C, and SHV57C models only)

- 1 Place the Plastic Base Access Panel under and up the front bottom panel of the dishwasher, as shown in **Figure 32a**.
- 2 Insert the Plastic Base Access Panel screws into the Plastic Base Access Panel, as shown in **Figure 32b**. Tighten the Plastic Base Access Panel Screws.
- 3 Place the Cotton Insulation Strip under the unit, between the bottom of the Plastic Base Access Panel and the floor, as shown in **Figure 32c**.
- 4 Attach the Toe Panel to the Plastic Base Access Panel using the Toe Panel Screws included in the Toe Panel Installation Kit. See **Figure 32d**.

NOTE: You will not use the normal Toe Panel Screws included in the Dishwasher Installation Kit on these models.

Figure 32

CUSTOMER SERVICE

Your Bosch dishwasher requires no special care other than that described in the Care and Cleaning section of the Use and Care Manual. If you are having a problem with your dishwasher, before calling for service please refer to the Self-Help section of the Use and Care Manual. If service is necessary, contact your dealer or installer or an authorized service center. Do not attempt to repair the appliance yourself. Any work performed by unauthorized personnel may void the warranty.

If you are having a problem with your Bosch dishwasher and are not pleased with the service you have received, please take the following steps (in the order listed below) until the problem is corrected to your satisfaction.

1. Contact your installer or the Bosch Authorized Service Contractor in your area.
2. E-mail us from the customer service section of our website, www.boschappliances.com.
3. Write us at:

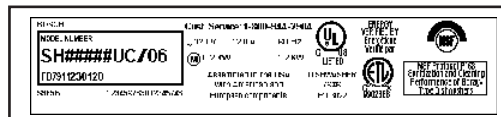
BSH Home Appliances, Corp.
5551 McFadden Avenue
Huntington Beach, CA 92649

4. Call us at 1-800-944-2904.

Please be sure to include (if you are writing), or have available (if you are calling), the following information:

- Model number
- Serial number
- Date of original purchase
- Date the problem originated
- Explanation of the problem

Also, if you are writing, please include a daytime phone number where you can be reached. You will find the model and serial number information on the label located on the right-hand side of the inner door of your dishwasher, see Figure 1. It will look similar to this:



Please make a copy of your invoice and keep it with this manual.

BOSCH

Table des Matières

INSTRUCTIONS IMPORTANTES	1	Emplacement	10
Outils nécessaires	2	Fixation du lave-vaisselle	10
Matériaux nécessaires	2	Connexion du tuyau de vidange	11
Matériaux fournis	3	Connexion eau chaude	12
Mise en oeuvre	4	Connexion électrique	13-14
Préparation électrique	5	Réglage tension de la porte	14
Préparation de la plomberie	6-7	Base et Panneau inférieur	14-15
Préparation du lave-vaisselle	7-8	Instructions finales	15
Installation panneau de porte	9	Service à la clientèle	16

Instructions de sécurité importantes

⚠ AVERTISSEMENT

Pour éviter tout dommage à la propriété et blessures, OBSERVER TOUS LES AVERTISSEMENTS. Ces instructions sont destinées à un installateur qualifié seulement.

Le lave-vaisselle doit être installé par un technicien qualifié seulement.

- En plus de ces instructions, l'appareil doit être installé conformément aux codes et règlements électriques et de plomberie (nationaux ou locaux).

Lire entièrement ces instructions d'installation et les observer. Elles permettront d'économiser temps et argent et assureront un rendement sécuritaire et optimal du lave-vaisselle.

ATTENTION

Si le lave-vaisselle est installé dans un endroit où il y a du gel (ex. : comme dans un chalet), il faut drainer l'eau de l'intérieur de l'appareil. Des ruptures du système d'eau survenant à cause du gel ne sont pas couverts par la garantie.

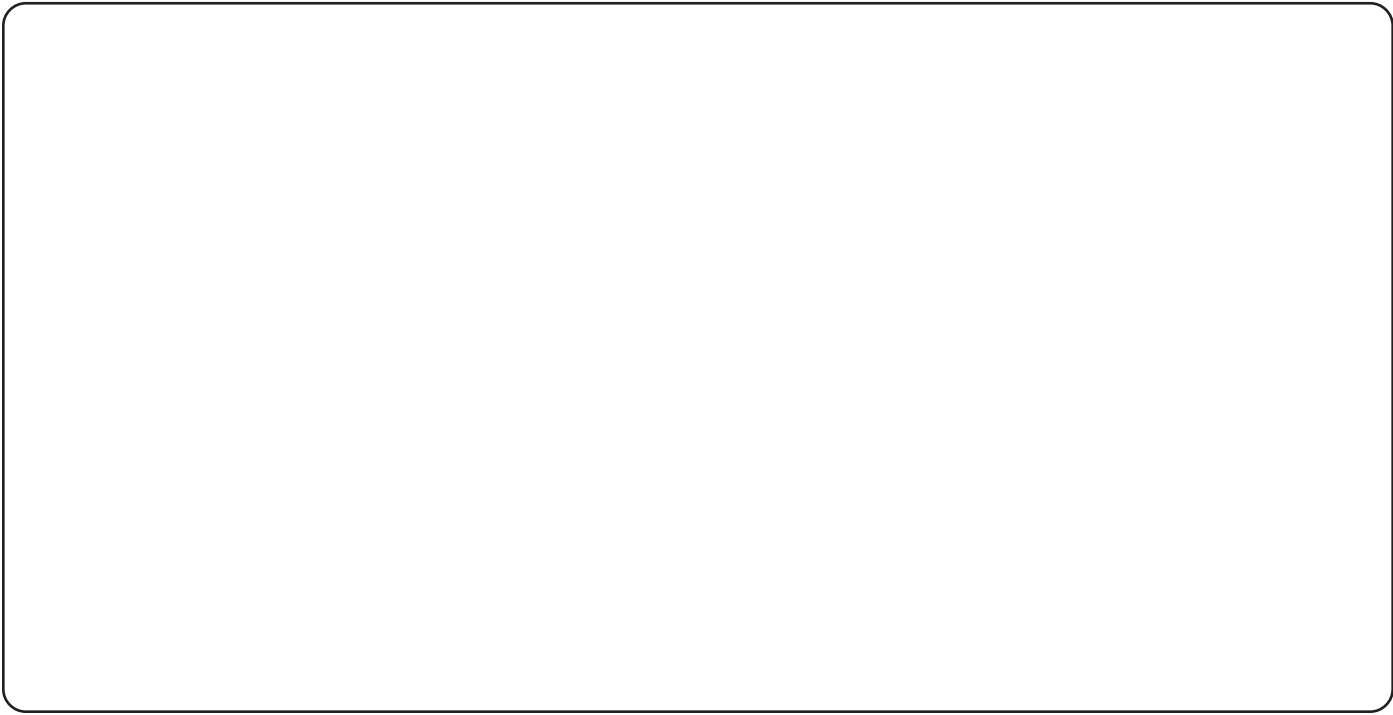
IMPORTANT

- Le tuyau de vidange du lave-vaisselle doit être installé avec une portion à au moins 20 po (508 mm) au-dessus du plancher de l'armoire, autrement l'appareil peut ne pas se vidanger adéquatement.
- Le lave-vaisselle est destiné à un usage résidentiel seulement, et ne doivent pas être utilisés de façon commerciale.
- **NOUVELLE INSTALLATION** - Si le lave-vaisselle est une nouvelle installation, la plupart du travail doit être effectué avant l'installation de l'appareil.
- **REMPACEMENT** - Si le lave-vaisselle en remplace un autre, vérifier les connexions existantes relativement à la compatibilité et remplacer toutes pièces nécessaires.

Vérification du lave-vaisselle

Après avoir déballé le lave-vaisselle et avant l'installation, vérifier entièrement l'appareil afin de voir s'il présente des dommages esthétiques ou autres. Rapporter tout dommage immédiatement. Les défauts esthétiques doivent être rapportés dans un délai de 5 jours suivant l'installation.

REMARQUE : Ne pas jeter les sacs ou les pièces fournis avec l'emballage d'origine tant que l'installation n'est pas complétée.



MATÉRIAUX FOURNIS

Pièces accessoires fournis

Les pièces pour le lave-vaisselle sans dans un ou plusieurs sacs, comme décrit ci-dessous.

REMARQUE : s'assurer d'avoir tous les sacs pour finaliser l'installation.



Nécessaire d'installation du lave-vaisselle

Ce nécessaire comprend ce qui suit :

F Vis pour panneau du bas (2 vis usinées noires)

Remarque : ces vis sont comprises, mais non utilisées pour les modèles à nécessaires d'installation de panneau inférieur.

G Fixations de plan de travail (2 « L » en métal)

H Vis de fixation (2 vis à bois argent)

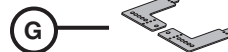
I Adaptateur de tuyau de drain en caoutchouc (1 tuyau en caoutchouc noir)

J Pinces à tuyau (1 pince à ressort argent pour utiliser avec adaptateur en caoutchouc vers tuyau de drain et 1 pince à vis dorée pour fixer l'adaptateur en caoutchouc à la plomberie)

K Serre-fils (3 pour connexions électriques)

L Vis de boîte de jonction (2 vis usinées argent)

M Vis de verrouillage de pied niveleur (2 vis à gros filets dorées)



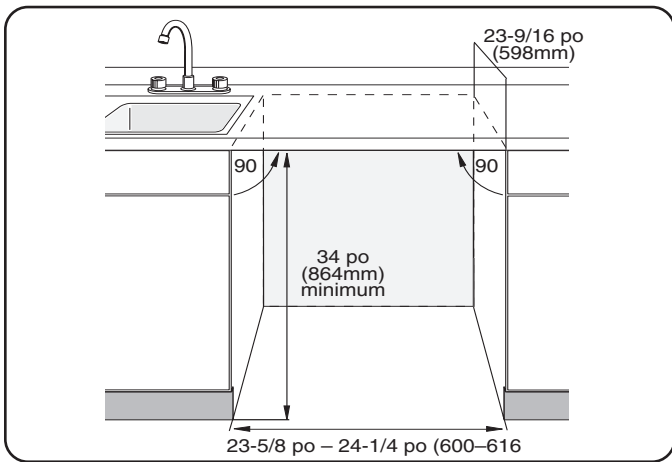


Figure 1

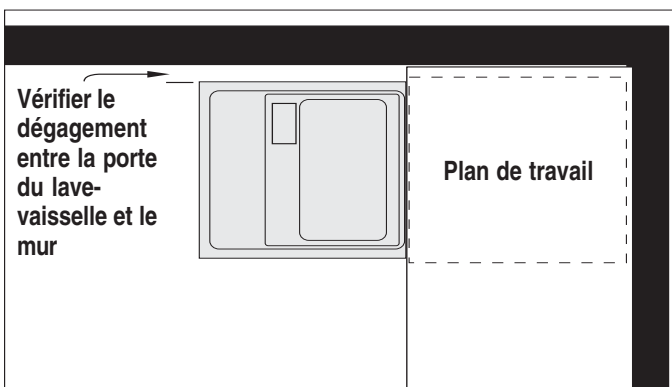


Figure 2

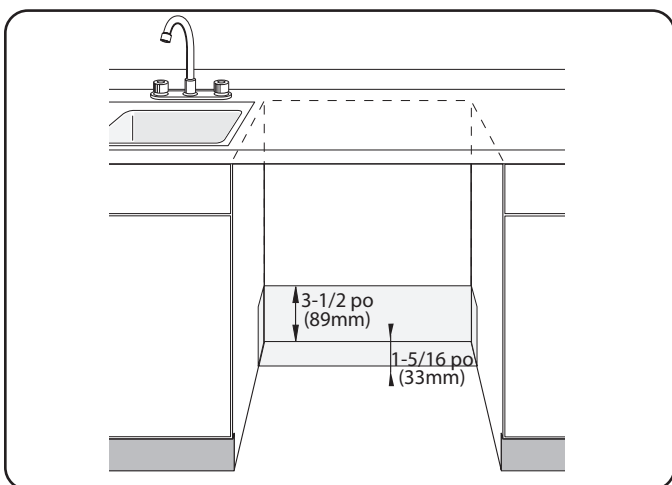


Figure 3

⚠ AVERTISSEMENT

Risque de choc électrique

Pour éviter les chocs électrique, s'assurer que la canalisation d'eau et l'électricité sont mises hors circuit avant l'installation ou le service.

MISE EN OEUVRE

REMARQUE : Ce lave-vaisselle est conçu pour être encastrés sur le dessus et les côtés par un comptoir de cuisine résidentiel standard.

Choisir un emplacement le plus près de l'évier possible pour un accès aisé à l'alimentation en eau et aux canalisations de vidange.

Pour une allure et un rendement approprié, s'assurer que l'ouverture est d'équerre et a les dimensions données à la **figure 1**.

Si l'appareil est installé dans un coin, s'assurer qu'un dégagement adéquat est prévu pour l'ouverture de la porte, comme à la **figure 2**.

⚠ AVERTISSEMENT

Risque de choc électrique ou d'incendie

Pour éviter tout choc électrique ou incendie, ne pas laisser l'électricité et la canalisation d'eau entrer en contact. Séparer les chemins comme il est fourni sous l'appareil (page 10).

Si l'espace requiert des ouvertures pour le câble d'alimentation, la cana-lisation d'eau chaude et le tuyau de vidange du lave-vaisselle, les placer selon les dimensions indiquées à la figure 3 pour éviter toute interférence avec le cadre du lave-vaisselle et autres composants. Faire les ouvertures pour le câble d'alimentation et la canalisation d'eau chaude 1 po (25,4 mm) de diamètre. Celle pour le tuyau de vidange de 1 1/4 po (32 mm) de diamètre. Si les ouvertures sont dans le bois, poncer pour adoucir; si dans le métal, faire l'ouverture suffisamment large pour accomoder les passe-fils dans le diamètre intérieur de 1 po (25,4 mm) pour le câble d'alimentation et la canalisation en eau chaude et 1 1/4 po (32 mm) pour le tuyau de vidange du lave-vaisselle.

ÉLECTRICITÉ

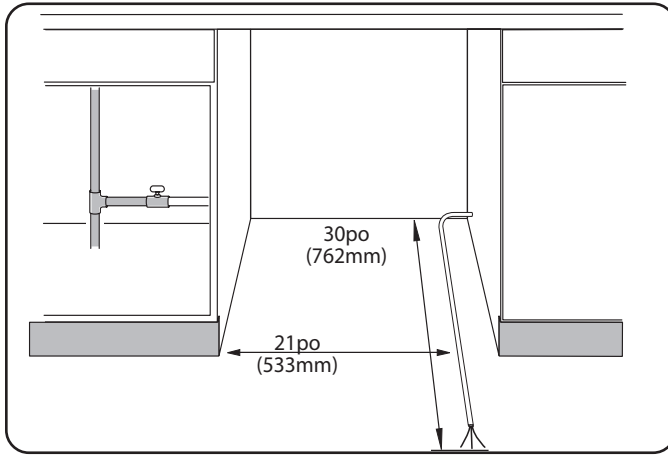


Figure 4

Cote électrique du lave-vaisselle

Volts	Hertz	Ampères	Watts
120	60	15	1,450 (max)

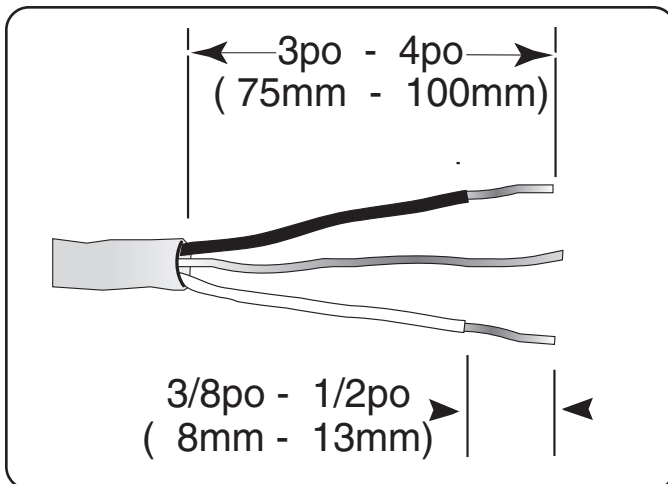


Figure 5

⚠ AVERTISSEMENT

Risque de choc électrique

Pour éviter tout choc électrique, ne pas travailler avec un circuit sous tension. Ceci peut causer des blessures sérieuses ou la mort. Seul un électricien qualifié peut effectuer ce travail. Ne pas tenter de travailler sur le circuit électrique de l'appareil tant que le circuit n'est pas mis hors circuit.

⚠ AVERTISSEMENT

Risque d'incendie

Pour éviter tout risque d'incendie, s'assurer que l'électricité est adéquatement installée. Seul un électricien qualifié peut effectuer ce travail.

Alimentation électrique

Il incombe au client de s'assurer que l'installation électrique est conforme aux codes et règlements électriques. Le lave-vaisselle est conçu pour une alimentation électrique de 120V, 60 Hz, c.a., branché sur un circuit électrique séparé adéquatement mis à la terre avec un fusible ou un coupe-circuit coté pour 15 ampères. Les conducteurs d'alimentation électrique doivent être un fil minimum de n° 14 AWG en cuivre coté à 75 °C ou plus.

Quelque soit l'endroit où entre le câble d'alimentation électrique dans l'ouverture (suivre les directives à la page 8), positionner le câble à 21 po (533 mm) depuis le côté gauche de l'ouverture, comme à la **figure 4**. Tirer le câble à 30 po (762 mm) depuis l'arrière, comme à la **figure 4**.

Retirer de 3 à 4 po (75 à 100 mm) de la gaine extérieure du câble, comme à la figure 5, puis enlever de 3/8 à 1/2 po (9 à 13 mm) d'isolant de chaque fil, comme à la **figure 5**.

PLOMBERIE

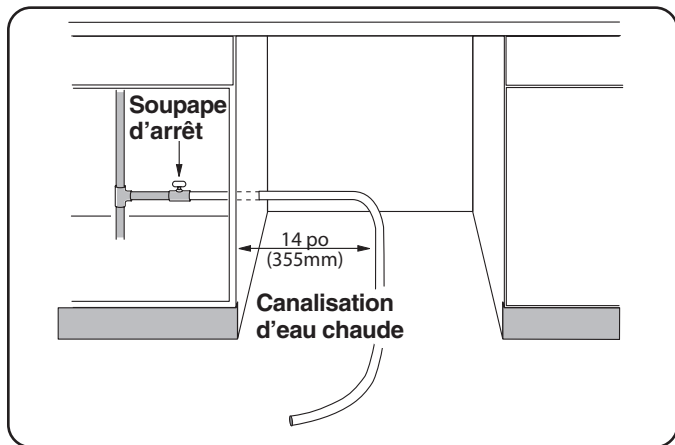


Figure 6

⚠ AVERTISSEMENT

Risque de brûlure

Pour éviter les brûlures, ne pas effectuer le travail sur une canalisation d'eau chaude pleine. Seul un plombier peut effectuer ce travail. Ne pas tenter de travailler sur la plomberie d'eau chaude tant que l'alimentation en eau chaude n'est pas fermée.

ATTENTION

Les températures requises pour la soudure endommageront la base du lave-vaisselle et la soupape d'entrée d'eau. S'il doit y avoir des soudures, éloigner la source de chaleur d'au moins 6 po (152,4 mm) de la base du lave-vaisselle et de la soupape d'entrée d'eau.

Alimentation en eau chaude

Le chauffe-eau devrait être réglé pour donner une eau à environ 120° F (49° C) pour le lave-vaisselle. Une eau trop chaude peut faire réduire l'efficacité du détergent. En baissant la température de l'eau, cela peut augmenter la durée de fonctionnement. La pression d'alimentation en eau chaude doit être entre 15 à 145 ln/po² (1 à 10 barres).

Tuyau d'alimentation en eau chaude

Installer une soupape d'arrêt accessible (non fournie) sur la canalisation en eau chaude, comme à la **figure 6**. Une soudure doit être faite avant que la canalisation en eau soit branchée sur la soupape d'entrée d'eau du lave-vaisselle. L'eau peut être fournie à l'appareil à l'aide d'une canalisation bridée. Vérifier auprès des quincailleries concernant les tuyaux appropriés et les coudes 90°.

REMARQUE : Quel que soit l'endroit où entre la canalisation en eau chaude (voir directives page 8), positionner la canalisation à 14 po (355 mm) depuis le côté gauche de l'endroit, comme à la **figure 6**.

REMARQUE : Décider si des tuyaux bridés ou en cuivre seront utilisés pour la canalisation en eau chaude et acheter la soupape d'arrêt d'alimentation en eau chaude, coude 90°, et raccords nécessaires pour la plomberie d'alimentation en eau chaude.

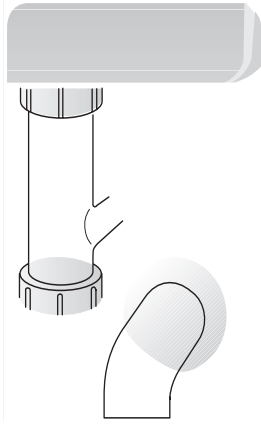


Figure 7

Figure 8

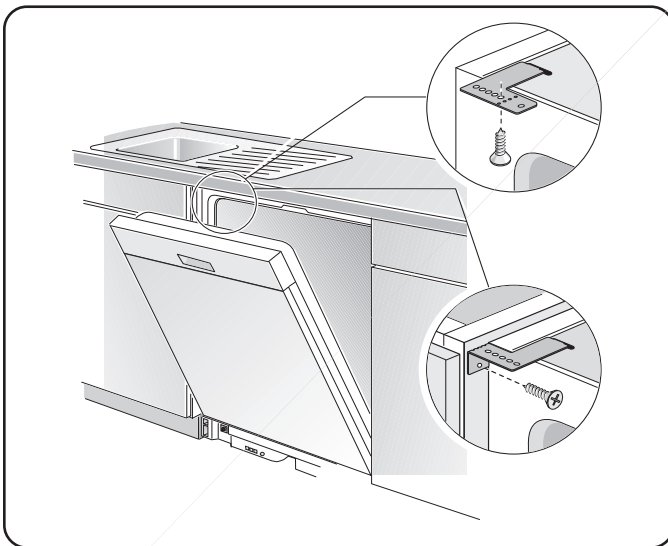


Figure 10

INSTALLATION PANNEAU DE PORTE

Modèles SHU/SHE - Installation du panneau accessoire

Si l'on possède un modèle SHU/SHE et a commandé un nécessaire de pan-neau, installer le panneau avant d'insérer le lave-vaisselle en place. Les dimensions de panneau sont données à la **figure 15**.

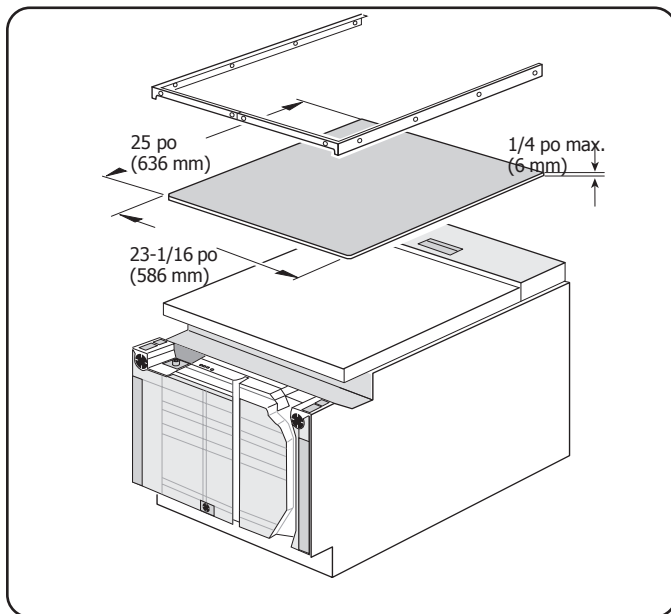


Figure 15

Modèles SHI - Installation de panneau

Ces modèles sont dotés de fixations additionnelles et d'un gabarit avec les instructions d'installation. Les modèles en acier inoxydable sont munis de 2 rallonges qui sont utilisées pour correspondre à la hauteur du panneau de contrôle (**figure 16**, dimension "B") à la ligne horizontale du tiroir, et doit être installé comme illustré sur le gabarit. La pièce standard est utilisée pour un tiroir jusqu'à 6 po (152 mm) de haut ; la pièce longue est pour les tiroir de 6 po (152 mm) de haut mais de 6 7/16 po (164 mm) ou moins. Si le tiroir est plus haut que 6 7/16 po, l'on peut faire glisser la rallonge le plus loin possible ou l'enlever et ajuster le panneau de porte directement en dessous du panneau de contrôle.

Modèles SHI/SHV - Installation du panneau

Les modèles SHV sont dotés de fixations additionnelles et d'un gabarit indiquant comment monter le panneau. Un côté du gabarit montre l'installation du panneau une pièce ; et l'autre celle du panneau deux pièces. Décider quelle méthode sera utilisée avant l'installation.

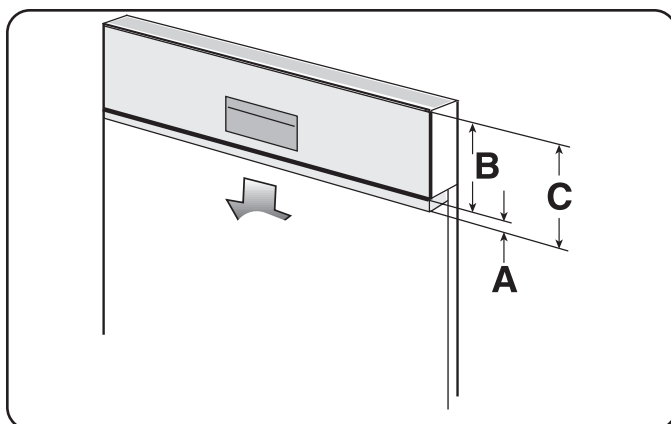


Figure 16

Fig. 16 Dimension	Rallonge "A" Max. - Min.		"B"	"C" Max.-Min.
	Standard	Long		
SHI seul.	5/16 - 11/16 po (8-18mm)	11/16 - 1 1/8 po (18 - 29mm)	5 5/16 po (135mm)	5 5/8-6 7/16 po (143 - 164mm)

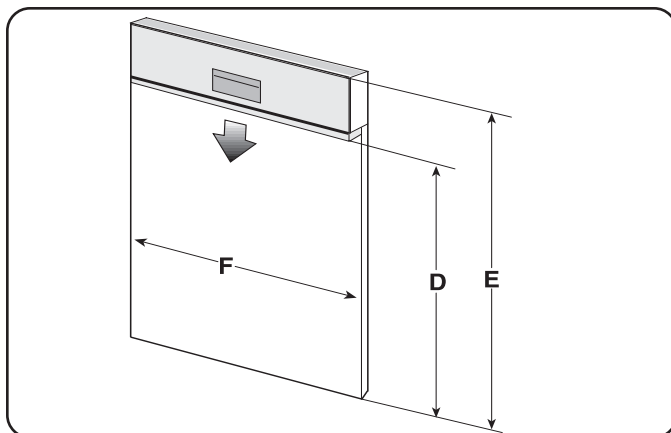


Figure 17

Fig. 17 Dimension	Dimension panneau
D (SHI)	20 11/16 - 25 po (526 mm - 635 mm)
E (SHI & SHV)	27 3/16 - 30 5/16 po (690 mm - 770 mm)
F (SHI & SHV)	23 3/16 - 23 3/8 po (589 mm - 594 mm)

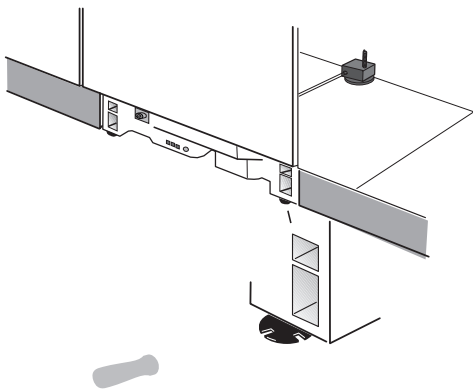


Figure 20

Figure 21

Installation de l'adaptateur du tuyau de drain en caoutchouc

- 1 Prendre l'adaptateur de tuyau de drain en caoutchouc et les 2 pinces à tuyau du nécessaire d'installation.
- 2 Sur une extrémité extérieure de l'adaptateur, il y a des rainures en relief. Insérer le tuyau de drain sur l'**extrémité sans les rainures en relief**. S'assurer de bien insérer le tuyau de drain.
- 3 Maintenir la connexion avec la pince à ressort argentée.
- 4 Utiliser la pince à ressort dorée pour attacher l'adaptateur de tuyau de drain en caoutchouc sur la plomberie de la résidence.

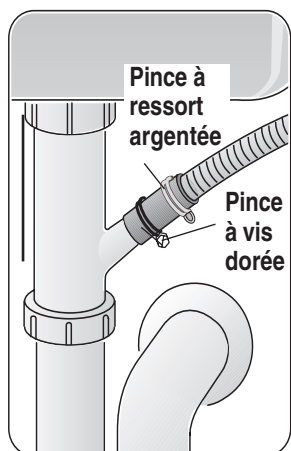


Figure 23

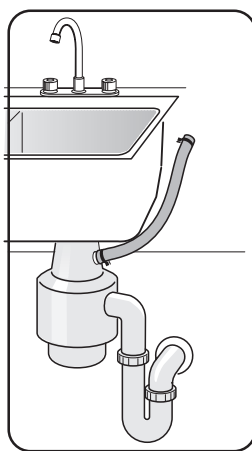


Figure 24

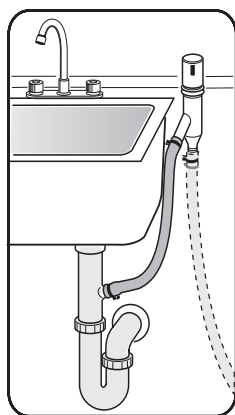


Figure 25

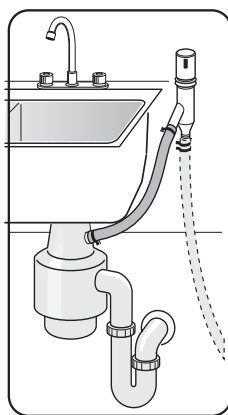


Figure 26

Connexion du tuyau de drain sur la plomberie résidentielle

Le tuyau de vidange du lave-vaisselle peut être branché sur la tuyau de vidange de 4 façons :

- 1 Directement sous la connexion de vidange de l'évier, **figure 23**.
- 2 Directement sur la connexion de vidange d'un broyeur, **figure 24**.
- 3 Sur la connexion de vidange de l'évier par un espace d'air, **figure 25**.
- 4 Sur la connexion de vidange d'un broyeur par un espace d'air, **figure 26**.

L'information sur l'installation d'espace d'air et de broyeurs est donnée dans la section plomberie de ce guide.

REMARQUE : si le tuyau de drain du lave-vaisselle doit être branché sur une connexion de drain de broyeur, retirer la fiche de la connexion du drain de lave-vaisselle du broyeur.

Utiliser l'adaptateur de tuyau de drain en caoutchouc et les pinces à tuyau pour brancher le tuyau de drain du lave-vaisselle sur la connexion de drain de plomberie. Utiliser la pince à ressort pour maintenir l'adaptateur sur le tuyau de drain du lave-vaisselle. Utiliser la pince à ressort pour maintenir l'adaptateur de tuyau de drain en caoutchouc sur la connexion du drain de plomberie.

Le tuyau de drain du lave-vaisselle doit avoir au moins un endroit fixé en place à 20 po au-dessus du plancher de l'armoire.

CONNEXION EAU CHAUDE

⚠ AVERTISSEMENT

Risque de brûlure

Pour éviter les brûlures, ne pas effectuer le travail sur une canalisation d'eau chaude pleine. Seul un plombier peut effectuer ce travail. Ne pas tenter de travailler sur la plomberie d'eau chaude tant que l'alimentation en eau chaude n'est pas fermée.

REMARQUE : S'assurer que le raccord de coude 90° approprié (non fourni) pour la canalisation en eau chaude a été acheté et installé sur le lave-vaisselle tel qu'il est décrit à la section Préparation du lave-vaisselle dans ce guide.

La canalisation en eau chaude peut être branchée sur le lave-vaisselle d'une de deux façons :

- 1 avec tuyau bridé
- 2 avec tuyau en cuivre

Tuyau d'alimentation tressé du lave-vaisselle

Une fois les connexions effectuées, ouvrir l'alimentation en eau chaude et vérifier les fuites.

REMARQUE : les tuyaux tressés peuvent aussi être utilisés pour allonger les canalisations d'alimentation en eau déjà existantes.

Tuyau en cuivre

ATTENTION

Les températures requises pour la soudure endommageront la base du lave-vaisselle et la soupape d'entrée d'eau. S'il doit y avoir des soudures, éloigner la source de chaleur d'au moins 6 po (152,4 mm) de la base du lave-vaisselle et de la soupape d'entrée d'eau.

- Si l'on utilise un joint de soudure au lieu d'un raccord à compression, s'assurer que toutes les connexions soudées sont faites avant de brancher la canalisation d'eau sur l'appareil.
- S'assurer de ne pas plier ni coincer la canalisation d'eau, cela peut restreindre le débit d'eau.
- S'assurer d'utiliser un composant pour filets de tuyau ou du ruban Teflon pour sceller les connexions lorsque requis.
- Avant de brancher la canalisation en eau chaude en cuivre sur le lave-vaisselle, le vidanger avec de l'eau chaude pour enlever tout objet étranger.
- Ouvrir l'alimentation en eau chaude et vérifier s'il y a des fuites.

REMARQUE : Ne pas utiliser de scellant à tuyau sur les raccords de compression.

CONNEXION ÉLECTRIQUE

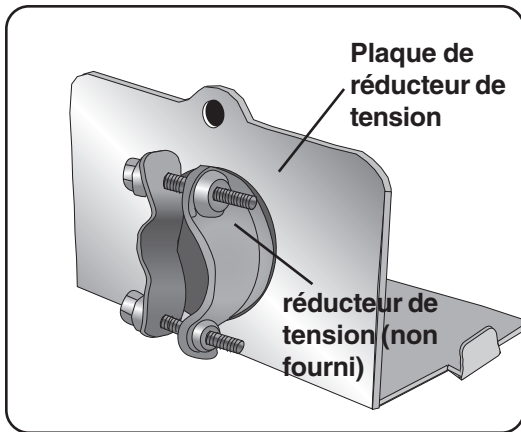


Figure 27

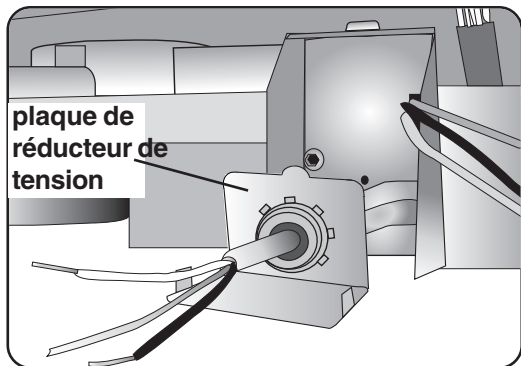


Figure 28

⚠ AVERTISSEMENT

Risque de choc électrique

Ne pas travailler avec un circuit sous tension. Ceci peut causer des blessures sérieuses ou la mort. Seul un électricien qualifié peut effectuer ce travail. Ne pas tenter de travailler sur le circuit électrique de l'appareil tant que le circuit n'est pas mis hors circuit.

⚠ AVERTISSEMENT

Risque d'incendie

Pour éviter tout risque d'incendie, s'assurer que l'électricité est adéquatement installée. Seul un électricien qualifié peut effectuer ce travail.

Instructions de mise à la terre

Le lave-vaisselle doit être mis à la terre de façon appropriée avant le fonctionnement. Cet appareil doit être branché sur une système de câblage permanent en métal mis à la terre ou un conducteur de mise à la terre d'équipement doit fonctionner avec les conducteurs de circuit et branché sur la borne de mise à la terre de l'appareil ou sur le fil du lave-vaisselle. S'assurer que le lave-vaisselle est branché sur une mise à la terre adéquate conformément à tous les codes locaux ou, en l'absence de ceux-ci, avec le Code national d'électricité aux É.-U. ou le code canadien d'électricité, C22.1 - dernière édition, au Canada ainsi qu'aux codes provinciaux ou municipaux applicables.

- 1 Retirer la plaque de réducteur de tension et installer un réducteur de tension (non fourni) sur l'ouverture de la plaque de réducteur de tension. **REMARQUE** : Orienter le réducteur de tension comme à la **figure 27**.
- 2 Passer le câble d'alimentation par le réducteur de tension, **figure 28**. Laisser 3 à 4 po de fil isolé sortir de la plaque de réducteur de tension.
- 3 Serrer les vis du réducteur de tension.
- 4 Faire glisser la plaque de réducteur de tension dans la boîte de jonction, et fixer à la boîte de jonction avec la vis fournie.

CONNEXION ÉLECTRIQUE (suite)

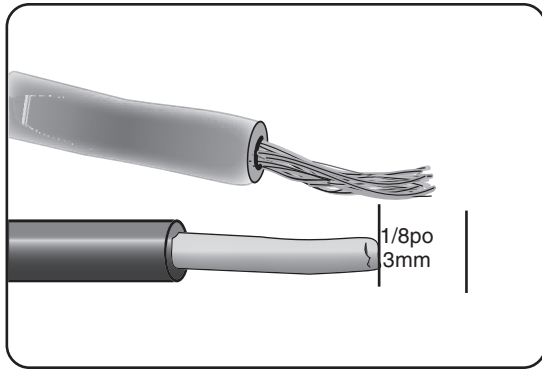


Figure 29

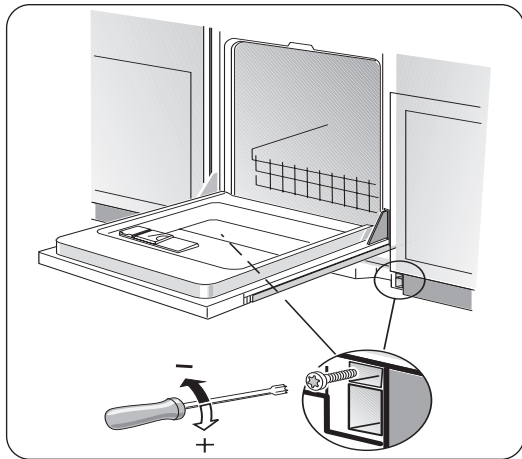


Figure 30

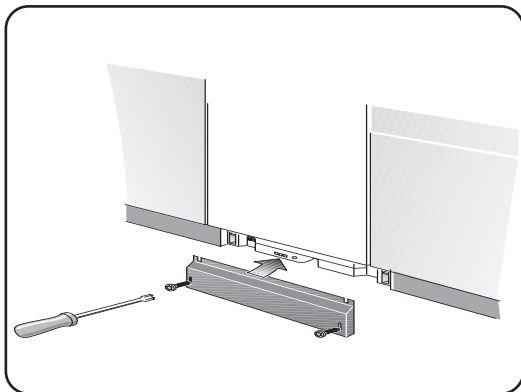


Figure 31

⚠ AVERTISSEMENT

Risque d'incendie

Pour éviter un risque d'incendie, s'assurer que les connexions électriques ne sont pas lâches et qu'elles sont adéquatement faites.

- Étirer les fils du lave-vaisselle de 1/8 po (3mm) loin des fils solides du câble d'alimentation, comme à la **figure 29**.
 - Ne pas tordre les fils d'alimentation électrique avant de les brancher avec les écrous à fils.
- 5 Utiliser les écrous à fils fournis, brancher les fils d'alimentation électrique sur les fils du lave-vaisselle, noir sur noir, blanc sur blanc, et le vert ou dénudé. S'assurer que les fils isolés ne montrent pas de fils dénudés depuis le bas des écrous à fils. S'assurer que les fils sont branchés de façon sécuritaire.
 - 6 Presser les fils dans la boîte de jonction. S'assurer que les écrous à fils ne sont pas lâches.
 - 7 Placer le couvercle sur la boîte de jonction et le maintenir en place avec la vis fournies.

DERNIERS RÉGLAGES

Réglage de la tension de la porte (seulement sur les modèles SHI et SHV avec panneau de porte sur mesure)

Une fois le lave-vaisselle et la porte sur mesure installés, ouvrir et fermer la porte quelques fois pour s'assurer qu'elle le fait aisément. Si elle referme trop rapidement, le ressort de tension doit être réglé.

Pour régler la tension du ressort :

- 1 Prendre les vis de tension à ressort fournies du sac de pièce pour SHI/SHV.
- 2 Insérer les vis comme à la **figure 30**. Tourner dans le sens horaire pour augmenter la tension.

BASE ET PANNEAU INFÉRIEUR

Installation du panneau inférieur ordinaire

Utiliser les vis de panneau du nécessaire d'installation du lave-vaisselle et un tournevis Torx pour installer le panneau comme à la **figure 31**.

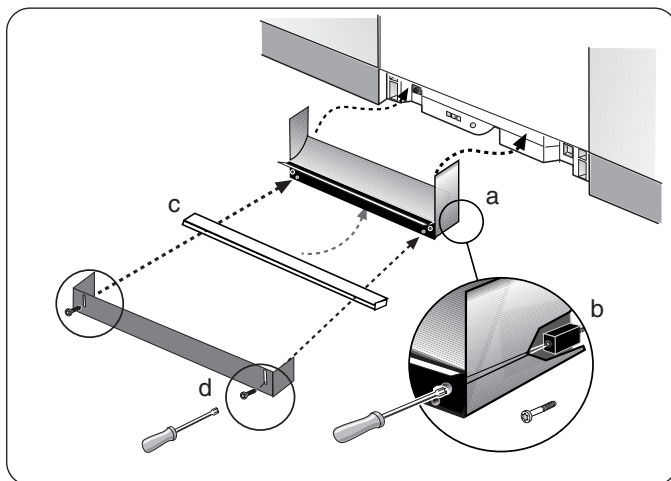


Figure 32

BASE ET PANNEAU INFÉRIEUR (Suite)

Installation du panneau d'accès en plastique et du panneau de base (SHY66C, SHX99A, SHE66C, SHE99C, SHX57C, et SHV57C seulement)

- 1 Placer le panneau d'accès en plastique sous et vers le haut du panneau avant, comme à la **figure 32a**.
- 2 Insérer les vis du panneau en plastique dans le panneau en plastique comme à la **figure 32b**. Serrer les vis du panneau d'accès en plastique.
- 3 Placer la bande isolante en coton sous l'appareil, entre le bas du panneau d'accès en plastique et le plancher, comme à la **figure 32c**.
- 4 Fixer le panneau de base sur le panneau d'accès en plastique à l'aide des vis fournies dans le nécessaire d'installation. Voir **figure 32d**.

REMARQUE : il ne faut pas utiliser les vis de panneau de base normales comprises dans le nécessaire sur ces modèles.

⚠ AVERTISSEMENT

Dans certains cas, de l'hydrogène peut se former dans un système d'eau chaude non utilisé pendant quelques semaines. Ce gaz est explosif. Avant d'actionner un lave-vaisselle non utilisé depuis longtemps, faire couler l'eau au robinet dans un endroit bien aéré tant qu'il n'y a plus de bruit d'eau ou évidence de gaz.

INSTRUCTIONS FINALES

- 1 Activer le circuit d'alimentation au lave-vaisselle.
- 2 Consulter le guide d'utilisation et d'entretien du lave-vaisselle et effectuer un cycle complet. Si le lave-vaisselle ne fonctionne pas adéquatement, consulter la section guide de dépannage du guide d'utilisation et d'entretien. S'il ne fonctionne toujours pas, consulter la section sur le service à la clientèle du même guide.

SERVICE À LA CLIENTÈLE

Le lave-vaisselle Bosch ne requiert aucun entretien spécial autre que celui décrit dans la section Nettoyage et entretien du guide d'utilisation et d'entretien. Si l'on a des problèmes avec l'appareil, avant d'effectuer un appel de service, consulter le guide de dépannage du guide d'utilisation et d'entretien. Si un service est nécessaire, communiquer avec le marchand, l'installateur ou le centre de service. Ne pas tenter de réparer l'appareil. Tout travail effectué par une personne non autorisée peut annuler la garantie.

Si l'on a des problèmes avec le lave-vaisselle Bosch et que l'on n'est pas satisfait du service reçu, prendre les mesures ci-dessous (dans l'ordre indiqué ci-dessous) jusqu'à ce que le problème soit corrigé.

1. Communiquer avec l'installateur ou le centre de service autorisé Bosch dans la région.
2. Envoyer un courriel depuis la section service à la clientèle sur notre site web www.boschappliances.com.
3. Nous écrire :

BSH Home Appliances, Corp.
5551 McFadden Avenue
Huntington Beach, CA 92649

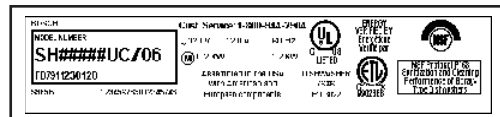
4. Téléphoner au 1-800-944-2904.

S'assurer d'inclure (si l'on écrit), ou d'avoir à la portée (si l'on téléphone), l'information suivante :

- Numéro de modèle
- Numéro de série
- Date d'achat d'origine
- Date du début du problème
- Explication du problème

De plus, si l'on écrit, inclure un numéro de téléphone pendant le jour où l'on peut être rejoint.

Les numéros de modèle et de série sont situés sur la plaque signalétique placée du côté droit de l'intérieur de la porte du lave-vaisselle. Voir figure 1. Cela ressemble à ceci :



Faire une photocopie de la facture et la conserver avec ce guide.

Tabla de Materias

INSTRUCCIONES IMPORTANTES	1	Como Situar la Lavadora	10
Herramienta Necesaria	2	Como Afimar la Lavadora	10
Materiales Necesarios	2	Conexión - Manguera de Desagüe	11
Materiales Provistos	3	Conexión de Agua Caliente	12
Preparación del Gabinete	4	Conexión Eléctrica	13-14
Preparación - Sistema Eléctrico	5	Ajustar la Tensión de la Puerta	14
Preparación - Plomería	6-7	Base y Panel de Pie	14-15
Preparación de la Lavadora	7-8	Instrucciones Finales	15
Instalación -Panel de la Puerta	9	Servicio al Cliente	15

INSTRUCCIONES MUY IMPORTANTES

⚠ ADVERTENCIA

OBSERVE TODAS LAS ADVERTENCIAS Y PRECAUCIONES para evitar posibles lesiones y daños a la propiedad. Estas instrucciones son para el uso exclusivo de instaladores calificados.

La lavadora debe ser instalada por un técnico de servicio calificado.

- Además de estas instrucciones, se debe instalar la lavadora para cumplir con todos los códigos y regulaciones eléctricas e hidráulicas (nacionales y locales).

Lea completamente estas instrucciones de instalación y cumpla con ellas cuidadosamente.

Guiándose por ellas, usted ahorrará tiempo y empeño, reducirá los riesgos y asegurará un desempeño óptimo de su lavadora de platos.

CAUIDADO

Si se instala la lavadora en un lugar donde hay temperaturas bajo cero (e.g., en una casa vacacional), usted debe drenar toda el agua desde el interior de la lavadora. La garantía no cubre roturas del sistema hidráulico como resultado de temperaturas de congelamiento.

IMPORTANTE

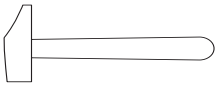
- La manguera de desagüe debe instalarse con una sección por lo menos a una distancia de 20" (51 cm) del piso del gabinete, de lo contrario la lavadora podría fallar en evacuar el agua adecuadamente.
- El uso intencionado para esta lavadoras de platos es en el ambiente residencial y no para usarse en los establecimientos comerciales de servicios alimenticios.
- **INSTALACIÓN NUEVA** - si se instala una lavadora en el sitio por primera vez, la mayoría del trabajo se realiza antes de acomodar la lavadora en su sitio.
- **REEMPLAZO** - Si esta lavadora reemplaza otra instalada anteriormente, inspeccione las conexiones presentes para averiguar si se prestan para la nueva y cambie piezas como lo sea necesario.

Inspeccionar la Lavadora de Platos

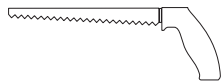
Después de desempacar la lavadora y antes de instalarla, inspeccione minuciosamente la lavadora para averiguar de daños cosméticos y los que suceden durante el envío. Infórmenos inmediatamente de cualquier daño. Los daños cosméticos deben reportarse dentro de 5 días de la instalación.

NOTA: No bote ninguna bolsa o artículos de embalaje hasta que termine con la instalación.

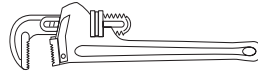
HERRAMIENTAS NECESARIAS



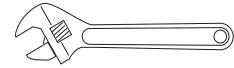
Martillo



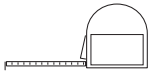
Sierra de Punta



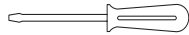
Llave para Tubería



Llave Ajustable



Cinta de Medir



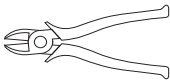
Destornillador de Ranura



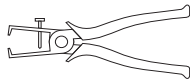
Destornillador de Estrella



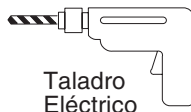
Destornillador tipo Torx



Alicates Pelacables



Cortaalambres



Taladro Eléctrico



Nivel

MATERIALES NECESARIOS

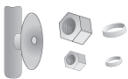
(Podría necesitar otros materiales para cumplir con los códigos municipales)



Cable de Alimentación Eléctrica - Mínimo no. 14 AWG, 2 conductores, 1 de puesta a tierra, conductores de cobre aislados clasificados para 75°C o mayor.



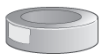
Tubo de Alimentación de Agua - Mínimo 3/8" diámetro exterior, tubo de cobre o manguera con alambre trenzado para alimentar lavadoras de platos.



Válvula de cierre y los accesorios adecuados para acoplarla a la alimentación de agua caliente (tubo de cobre con accesorios sujetadores de compresión o manguera con alambre trenzado).



Acoplador acodado de 90° con rosca exterior macho de 3/8" N.P.T. en una extremidad, y en la otra extremidad del tamaño adecuado para poder conectarlo a la alimentación de agua (tubo de cobre/accesorios sujetadores de compresión o manguera con alambre trenzado).



Cinta de teflón u otro sello de acoplamiento roscado para las conexiones de agua.



Conector de Conducto o Alivio de Presión aprobados por UL [*Underwriters Laboratory*].

MATERIALES PROVISTOS

Accesorios que Proporcionamos

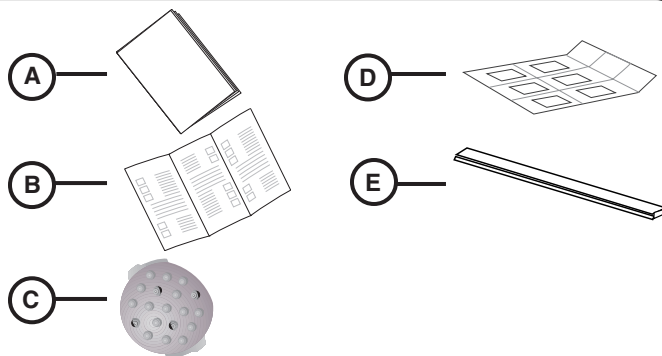
Las piezas de accesorios para su lavadora vienen en una o más bolsas de plástico que se describen abajo.

NOTA: Asegúrese de guardar todas las bolsas hasta haber terminado la instalación.

Bolsa de juego manual

Cada lavadora viene con una bolsa de juego manual que incluye:

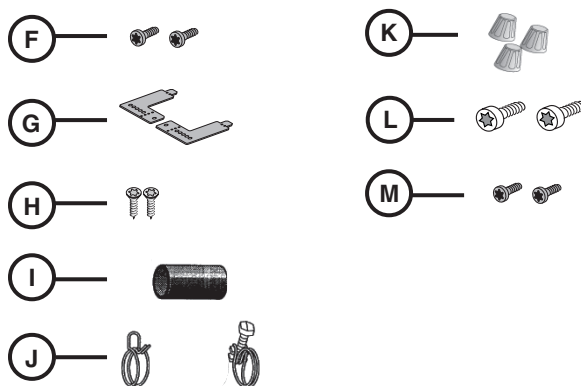
- A** Manual de uso y cuidado e instrucciones de instalación (ambos manuales pueden estar incluidos en un librito)
- B** Guía de referencia rápida (modelos selectos)
- C** Aspersor para piezas muy altas
- D** Plantilla de instalación SHI y SHV (solamente modelos SHI y SHV)
- E** Tira de aislamiento de algodón blanco (solamente modelos SHY66C, SHX99A, SHE66C, SHE99C, SHX57C y SHV57C)



Kit de instalación de la lavadora

Cada lavadora viene con un kit de instalación que incluye:

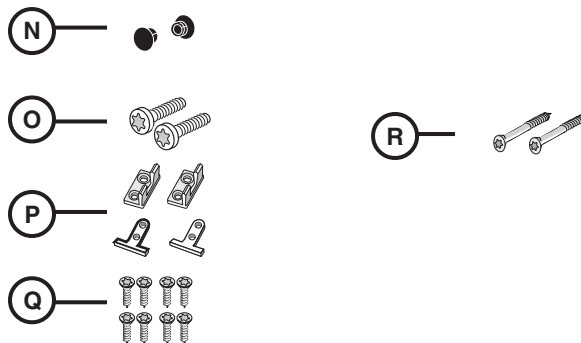
- F** Tornillos del panel de pie (2 tornillos negros)
- G** Soportes de montaje en la cubierta (2 soportes metálicos en forma de una "L")
- H** Tornillos del soporte de montaje (2 tornillos plateados para madera)
- I** Adaptador de hule para la manguera de desagüe (1 tubo negro de hule)
- J** Abrazaderas de manguera (1 abrazadera de resorte plateada para fijar el adaptador de hule a la manguera de desagüe y 1 abrazadera de tornillo dorada para fijar el adaptador de hule a la tubería de agua)
- K** Conectores de alambre (3 para conexión eléctrica)
- L** Tornillos de la caja de conexiones eléctricas (2 tornillos plateados)
- M** Tornillos de bloqueo de las patas niveladoras (2 tornillos roscados dorados)



Kit de instalación de paneles de puertas para SHI/SHV

Se proporciona un kit de instalación de paneles de puertas para lavadoras selectas que utilizan un panel de puerta personalizado de madera e incluye:

- N** Tapas de plástico (2) Nota: Estos tornillos son incluidos, pero no utilizados en modelos con el kit de instalación del panel del dedo del pie.
- O** Tornillos de tensión de resorte (2 tornillos plateados grandes que se usan para ajustar los resortes de las puertas para acomodar puertas de diferentes pesos)
- P** Soportes de montaje de puerta (2 soportes metálicos dorados y 2 soportes de plástico blanco que se usan para fijar la puerta personalizada)
- Q** Tornillos del soporte de montaje de puerta (8 tornillos plateados para madera)
- R** Tornillos de montaje de puerta (2 tornillos plateados largos que se usan para fijar la puerta)



Kit de instalación del panel de pie

Un kit de instalación del panel del dedo del pie se proporciona en los modelos SHY66C, SHX99A, SHE66C, SHE99C, SHX57C, y SHV57C. Estos modelos tienen un ruido especial el reducir del panel del dedo del pie con el hardware de montaje siguiente:

- S** Tornillos del panel de pie (2 tornillos negros que se usan para fijar el panel metálico de pie)
- T** Tornillos del panel de plástico negro de acceso inferior (2 tornillos plateados largos que se usan para fijar el panel de plástico negro de acceso inferior a la lavadora).



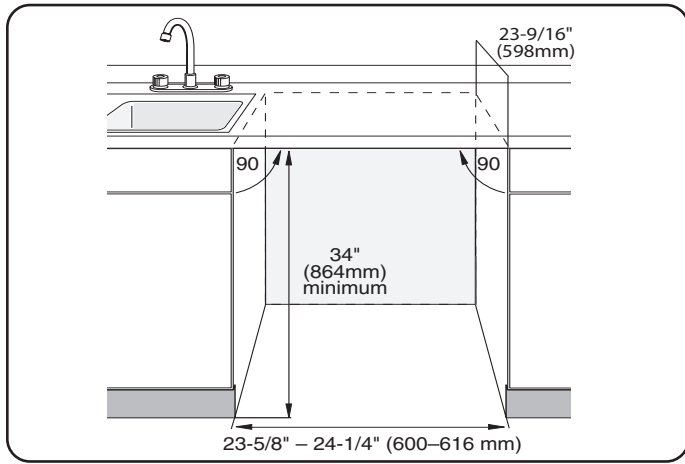


Ilustración 1

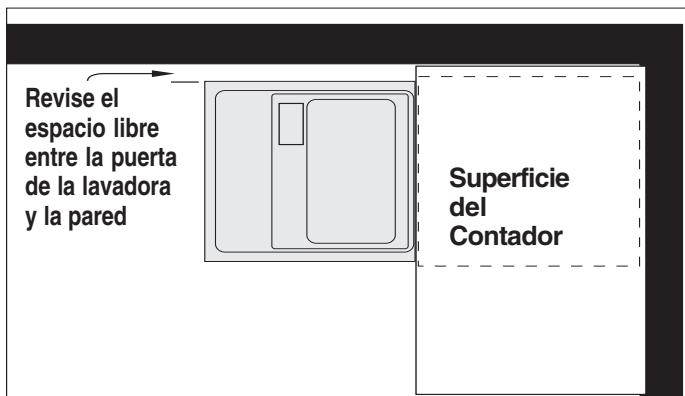


Ilustración 2

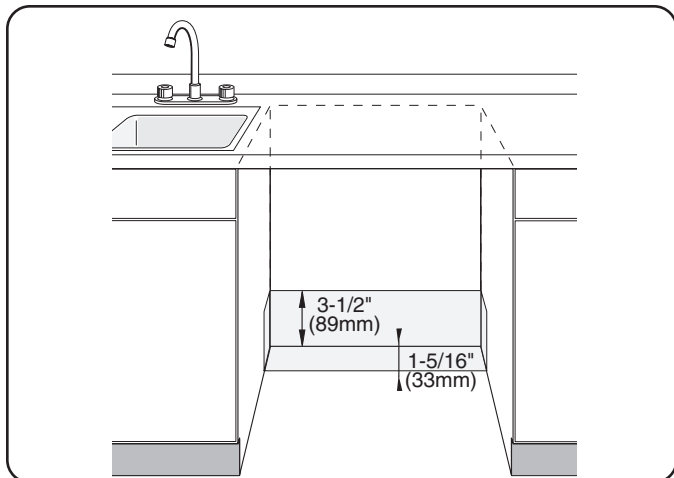


Ilustración 3

⚠ ADVERTENCIA

Riesgo de choque eléctrico

Para evitar un choque eléctrico, asegúrese de apagar el suministro eléctrico y de agua antes de proceder con la instalación o el servicio.

PREPARACIÓN DEL GABINETE

NOTA: Se diseñaron esta lavadora con la intención de encajarlas y así cubrir la cara superior y ambos lados con armarios convencionales para cocinas residenciales. Escoja un sitio tan cerca del fregador como sea posible para obtener un acceso fácil a la fuente de agua y a las cañerías de evacuación.

Para realizar una operación adecuada y presentar una buena apariencia, cuide de que el gabinete esté en cuadro y que tenga las dimensiones que muestra la **Ilustración 1**.

Si instala la lavadora en un rincón, cuide de que la puerta tenga bastante espacio libre para abrirla, tal como indica en la **Ilustración 2**.

⚠ ADVERTENCIA

Riesgo de choque eléctrico/fuego

Para evitar un choque eléctrico o fuego, no permita que se toquen las líneas de suministro eléctrico y de agua. Abajo de la lavadora hay canales separados para ello (vea página 10).

Si el gabinete requiere perforaciones para el cable eléctrico, el tubo de agua caliente y para la manguera de desagüe, sitúe éstos dentro de las dimensiones sombreadas en la **Ilustración 3** para evitar que interfieren con la armadura de la lavadora u otro componente. Las perforaciones para el cable eléctrico y el tubo de agua caliente se hacen con un diámetro de 1" (2.5 cm). La perforación para la manguera de desagüe se hace con un diámetro de 1-1/4" (3+ cm). Después de cortar la madera lije las orillas hasta que queden lisas. Aumente las dimensiones de las perforaciones a través de metal para poder acomodar algún ojal u otro tipo de arandela protectora con un diámetro interior de 1" (2.5 cm) para el cable eléctrico y el tubo de agua caliente, y de 1-1/4" (3+ cm) para la manguera de desagüe.

PREPARACIÓN - SISTEMA ELÉCTRICO

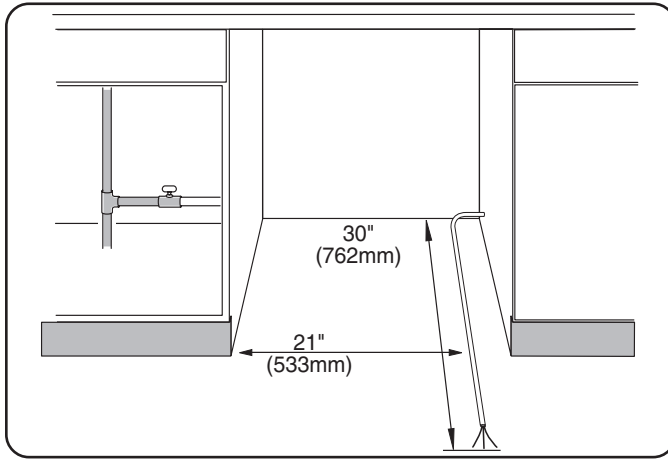


Ilustración 4

Corriente Eléctrica Nominal de la Lavadora

Voltios	Hertzios	Amperios	Vatios
120	60	15	1,450 (max)

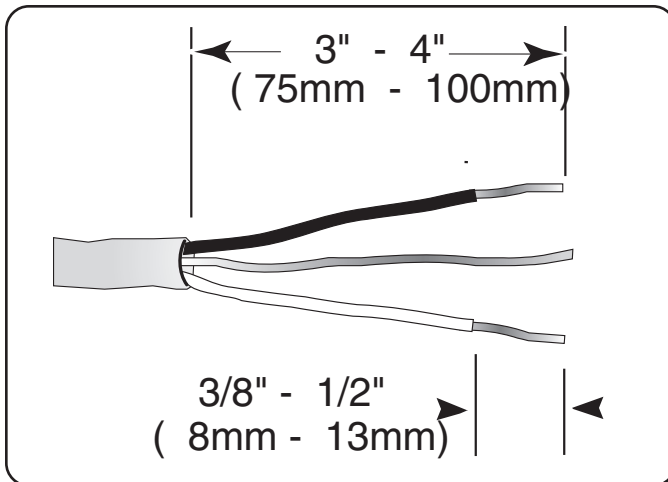


Ilustración 5

⚠ ADVERTENCIA

Corre riesgo de choque eléctrico

Trabajar en un circuito activado puede causar lesiones serias o la muerte debido a un choque eléctrico. Sólo eléctricos calificados deben realizar los trabajos eléctricos. No trate de realizar ningún trabajo en el circuito eléctrico de la lavadora hasta que esté seguro que el circuito está desactivado.

⚠ ADVERTENCIA

Corre peligro de incendio

Asegúrese de instalar las conexiones eléctricas correctamente para evitar un fuego. Sólo eléctricos calificados deben realizar los trabajos eléctricos.

Alimentación Eléctrica

Le toca al cliente la responsabilidad de asegurarse de que la instalación del sistema eléctrico para la lavadora cumpla con todos los códigos y ordenanzas nacionales y municipales. La lavadora se diseñó para una fuente eléctrica de 120V, 60 Hz, AC, conectada a un circuito dedicado exclusivamente a la lavadora y con puesta a tierra apropiada que cuenta con un fusible o cortacircuitos de corriente nominal a 15 amperios. Los conductores de electricidad deberán tener cables de cobre con un mínimo de #14 AWG clasificados para 75°C o mayor.

No obstante el sitio donde el cable de alimentación eléctrica entra al gabinete (siguiendo las instrucciones en la página 8), sitúe el cable a 21" (53 cm) del lado izquierdo del gabinete, tal como indica en la **Ilustración 4**. Corra 30" (76 cm) del cable por la parte trasera del gabinete, tal como indica en la **Ilustración 4**.

Elimine de 3" a 4" (de 7.5 cm a 10 cm) del recubrimiento protector exterior del cable, tal como indica en la **Ilustración 5**. Después desforre de 3/8" a 1/2" (de 1 cm a 1.5 cm) de aislamiento de cada cable, tal como indica en la **Ilustración 5**.

PREPARACIÓN DEL SISTEMA DE PLOMERÍA

! ADVERTENCIA

Riesgo de Quemadura por Vapor
Realizar trabajos en una línea de agua caliente presurizada puede causar lesiones serias. Sólo fontaneros calificados deben realizar los trabajos hidráulicos. No trate de realizar ningún tipo de trabajo en la línea de suministro de agua caliente a la lavadora hasta quedar seguro que el suministro de agua caliente esté apagado.

CUIDADO

Las temperaturas que se requieren para soldar y condensar dañarán la base y la válvula de entrada de agua de la lavadora. Cuando se deben soldar las líneas hidráulicas, mantenga la fuente de calor a una distancia de al menos 6 pulgadas (152.4 mm) de la base y la válvula de entrada de agua de la lavadora.

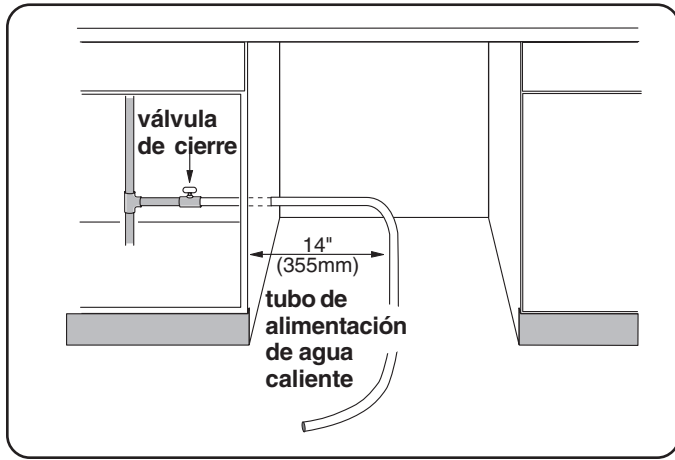


Ilustración 6

Alimentación de Agua Caliente

El calentador de agua se debe fijar a una temperatura de 120° F (49° C). Por la razón es que agua demasiado caliente puede causar que algunos detergente pierdan efectividad y que con temperaturas bajas el ciclo de lavado es mas largo. La presión de la alimentación de agua caliente debe registrar entre 15 y 145 psi (de 1 a 10 bar).

Sistema de Alimentación de Agua Caliente

En el tubo de alimentación de agua caliente instale una válvula de cierre (algo que no proporcionamos) de modo que su acceso sea fácil, tal como indica en la **Ilustración 6**. Se deben terminar todas las conexiones soldadas antes de conectar el tubo de agua a la válvula de entrada de agua a la lavadora. También, se puede instalar una manguera con alambre trenzado para alimentar la lavadora con agua. Consulte con sus proveedores de piezas de plomería para obtener los accesorios para las cañerías y los acopladores acodados de 90°.

NOTA: No obstante el sitio donde el tubo de agua caliente entre en el gabinete, sitúe el tubo a 14" (35 cm) del lado izquierdo del gabinete, tal como indica en la Ilustración 6.

NOTA: Decida entre utilizar una manguera con alambre trenzado o tubería de cobre para el sistema de agua caliente y compre las piezas del tipo adecuado para la válvula de cierre de la alimentación de agua caliente, un acoplador acodado de 90° y todos los accesorios necesarios para instalar el sistema de alimentación de agua caliente.



Ilustración 7

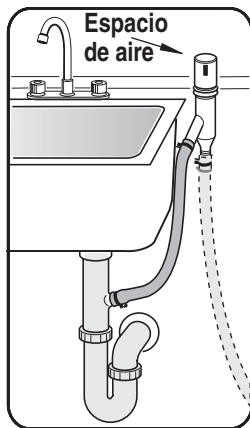


Ilustración 8

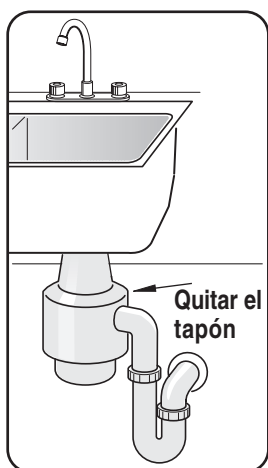


Ilustración 9

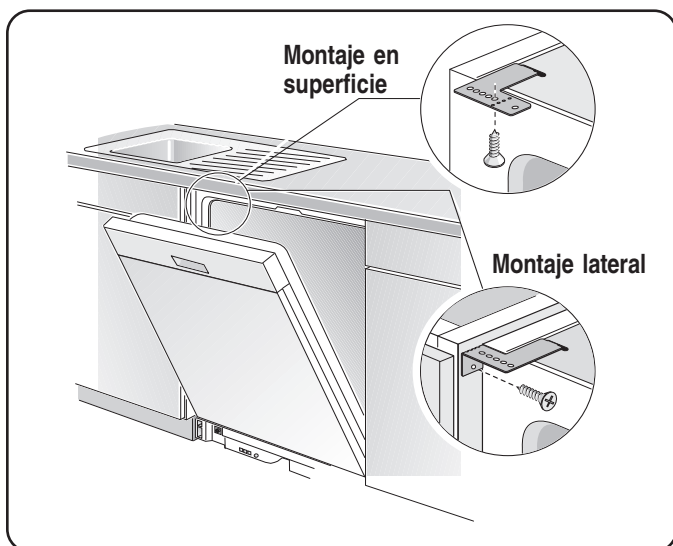


Ilustración 10

PREPARACIÓN DEL SISTEMA DE PLOMERÍA (continúa)

Sistema de Evacuación

Conexión del desagüe debajo del fregador

Si tiene la intención de que la lavadora evacúe directamente en el sistema de desagüe de la vivienda o a través de un dispositivo de ventilación [air gap], instale un tubo de desagüe en Y debajo del fregador, tal como indica en la Ilustración 7.

Instalación del Dispositivo de Ventilación

Si las ordenanzas municipales requieren ventilación, tal como indica en la Ilustración 8, instale el dispositivo conforme a las instrucciones del fabricante.

Eliminador de Basura

Asegúrese de quitar el tapón de la conexión del desagüe a la lavavajillas del eliminador de basura. Vea Ilustración 9.

PREPARACIÓN DE LA LAVADORA

Se elaboran cuatro tareas en la preparación de la lavadora:

- Instalar los Soportes de Montaje
- Desmontar el Panel de Pie
- Instalar el Acoplador Acodado de 90°
- Preparar la Caja de Conexiones

Instalar los soportes de montaje en la cubierta

Se puede afirmar la lavadora en su gabinete por medio de dos métodos:

CUIDADO

Antes de instalar los soportes de montaje en la cubierta que se incluyen, decida cuál método va a usar para fijar la lavadora en su espacio. Una vez que se instalaron los soportes de montaje en la lavadora, es difícil quitarlos y el intento de hacerlo dañará los soportes de la lavadora.

- 1 **El Montaje Superior** se utiliza cuando el contador tiene una superficie de madera u otro material fácil de perforar. Acomode los soportes de montaje tal como indica en la Ilustración 10 y sitúe la dos lengüetas pequeñas de modo que cubran las dos ranuras en los rincones delanteros de la lavadora. Oprima firmemente hacia abajo los soportes de montaje hasta introducir las lengüetas en sus ranuras.
- 2 **El Montaje Lateral** se utiliza para las superficies de contador hechas de mármol, granito u otro material muy duro que no se perfora fácilmente. Doble los soportes de montaje en línea con los hoyos pequeños y en la misma dirección como las dos lengüetas pequeñas. Acomode los soportes de montaje tal como indica en la Ilustración 10 y sitúe las dos lengüetas pequeñas encima de los soportes de montaje sobre las dos ranuras en los rincones delanteros de la lavadora. Oprima firmemente hacia abajo los soportes de montaje para poder introducir las lengüetas en las ranuras.

⚠ ADVERTENCIA

Riesgo de Volcadura

Para evitar el riesgo de volcadura, no utilice la lavadora hasta que se haya instalado completamente. Cuando abra la puerta de una lavadora no instalada, hágalo con mucho cuidado soportando la parte trasera del aparato. En caso contrario usted puede sufrir lesiones serias.

Preparación de la Lavadora (continúa)

Como desarmar el Panel de Pie

Panel de Pie Regular

El panel de pie está ligeramente sujetado con cinta adhesiva. Quite la cinta y separe el panel de pie de la lavadora. Ponga el panel al lado. Usted lo reinstalará más tarde.

SHY66C y SHX99A: Panel de plástico de acceso inferior y panel de pie

El panel de plástico de acceso inferior (modelos selectos (SHY66C, SHX99A, SHE66C, SHE99C, SHX57C y SHV57C solamente) y el panel de pie están en su posición en la lavadora, pero no están instalados. Quite el panel de pie primero, como se indica en la **Ilustración 11**, luego quite el panel de plástico de acceso inferior, como se indica en la **Ilustración 11**.

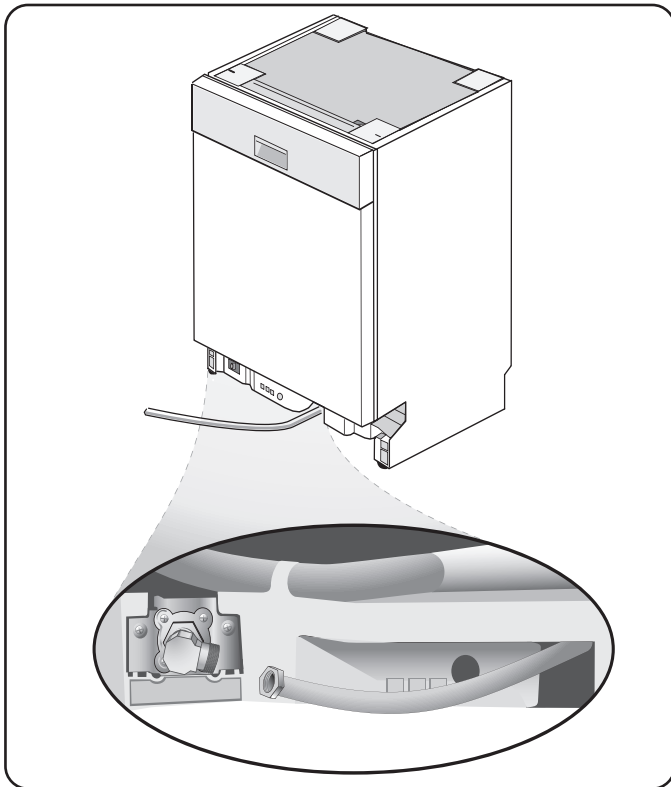


Ilustración 12

Como Instalar el Acoplador Acodado de 90°

NOTA: No se proporciona el acoplador acodado de 90° con la lavadora y por consiguiente se debe comprar separadamente. Si usted decide usar tubería de cobre para alimentar el agua caliente, cuide de que el acoplador cuente con un accesorio sujetador de compresión. Selle todas las conexiones roscadas con cinta de teflón o compuesto sellador de rosca cuando sea necesario. See **Figure 12**.

Oriente la otra extremidad que se conectará a la alimentación de agua caliente hacia la apertura del canal en la base de la lavadora.

Preparación de la Caja de Conexiones

- 1 Quite la tapadera de la caja de conexiones, la **Ilustración 13**, levantando y jalando la cubierta hacia arriba.
- 2 Quite la placa de alivio de presión por medio de extraer el tornillo de la parte trasera de la caja de conexiones, como muestra en la **Ilustración 14**, y deslizar la placa de alivio de presión hacia afuera.
- 3 Ponga a un lado la tapadera de la caja de conexiones, la placa de alivio de presión y el tornillo. Usted los reinstalará más tarde.

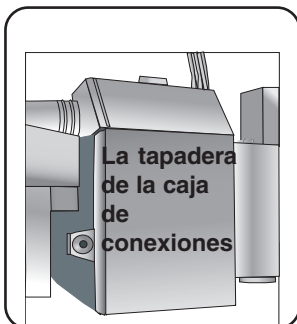


Ilustración 13



Ilustración 14

INSTALACIÓN - PANEL DE LA PUERTA

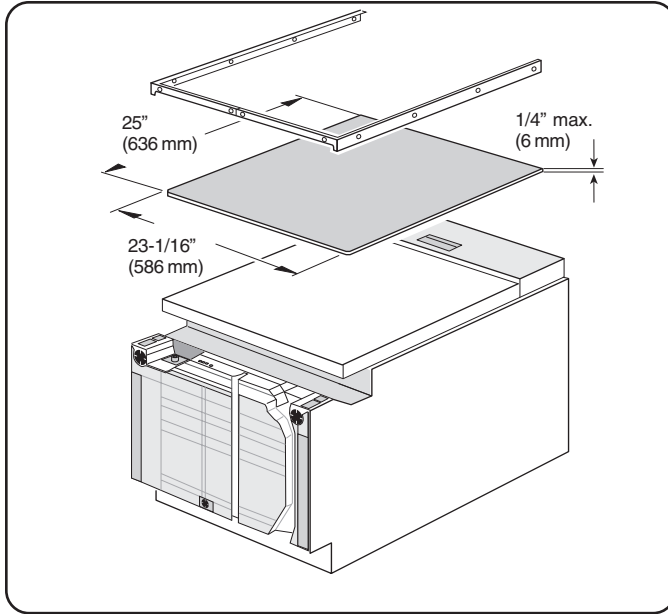


Ilustración 15

Modelos SHU/SHE - Instalación del Panel Accesorio

Si su modelo es un SHU/SHE y usted ordenó un juego de instalación del panel accesorio, instale éste antes de acomodar la lavadora en su sitio. La **Ilustración 15** muestra las dimensiones del panel.

Los Modelos SHI - Instalación del Panel

Se incluyen accesorios de montaje extras y una hoja patrón con instrucciones de instalación con los modelos SHI. Junto con los modelos de acero inoxidable de la serie SHI también se incluyen piezas de extensión. Las piezas de extensión se utilizan para corresponder la altura del tablero de control (la dimensión "B" en la **Ilustración 16**) al nivel horizontal de los cajones en los armarios de la cocina. Se deben instalar estas piezas como indica la hoja patrón. La pieza estándar se usa para las alturas de los cajones de hasta 6" (15 cm). La pieza larga se usa para los cajones con altura de más de 6" (15 cm) pero sin pasarse de 6-7/16" (16.5 cm). Si la altura de los cajones sobrepasa 6-7/16", usted podría decidir en deslizar la pieza de extensión tanto como lo permita la estructura o quitarla e instalar el panel de la puerta directamente debajo del tablero de control.

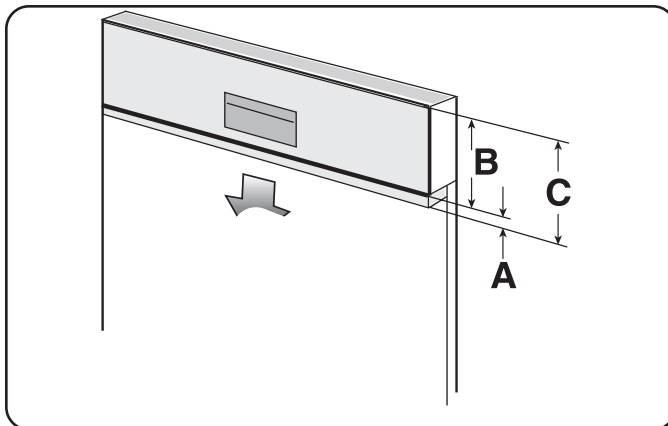


Ilustración 16

Modelos SHI/SHV - Instalación del Panel

Se incluyen accesorios de montaje extras con una hoja patrón que le muestra como instalar el panel. Un lado del patrón indica como instalar un panel de una sola pieza; el otro muestra como instalar un panel de dos piezas. Decida cual tipo de instalación adoptará antes de proceder.

Ilus.16 Dimensión	Extensión "A" Max. - Min.		"B"	"C" Max.-Min.
	Estándar	Larga		
SHI sólo	5/16 - 11/16" (8-18mm)	11/16 - 1 1/8" (18 - 29mm)	5 5/16 (135mm)	5 5/8 - 6 7/16 (143 - 164mm)

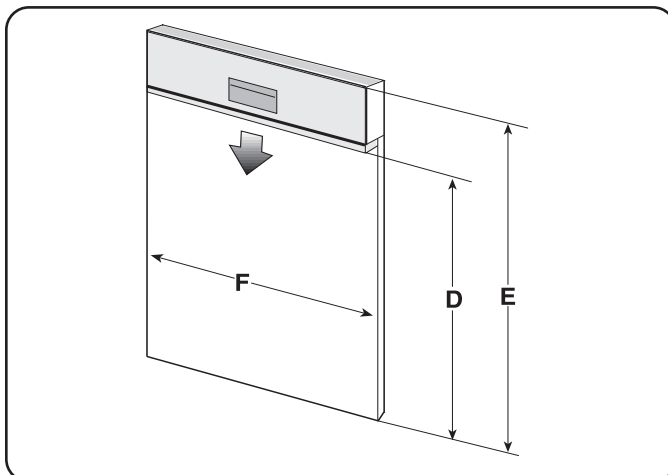
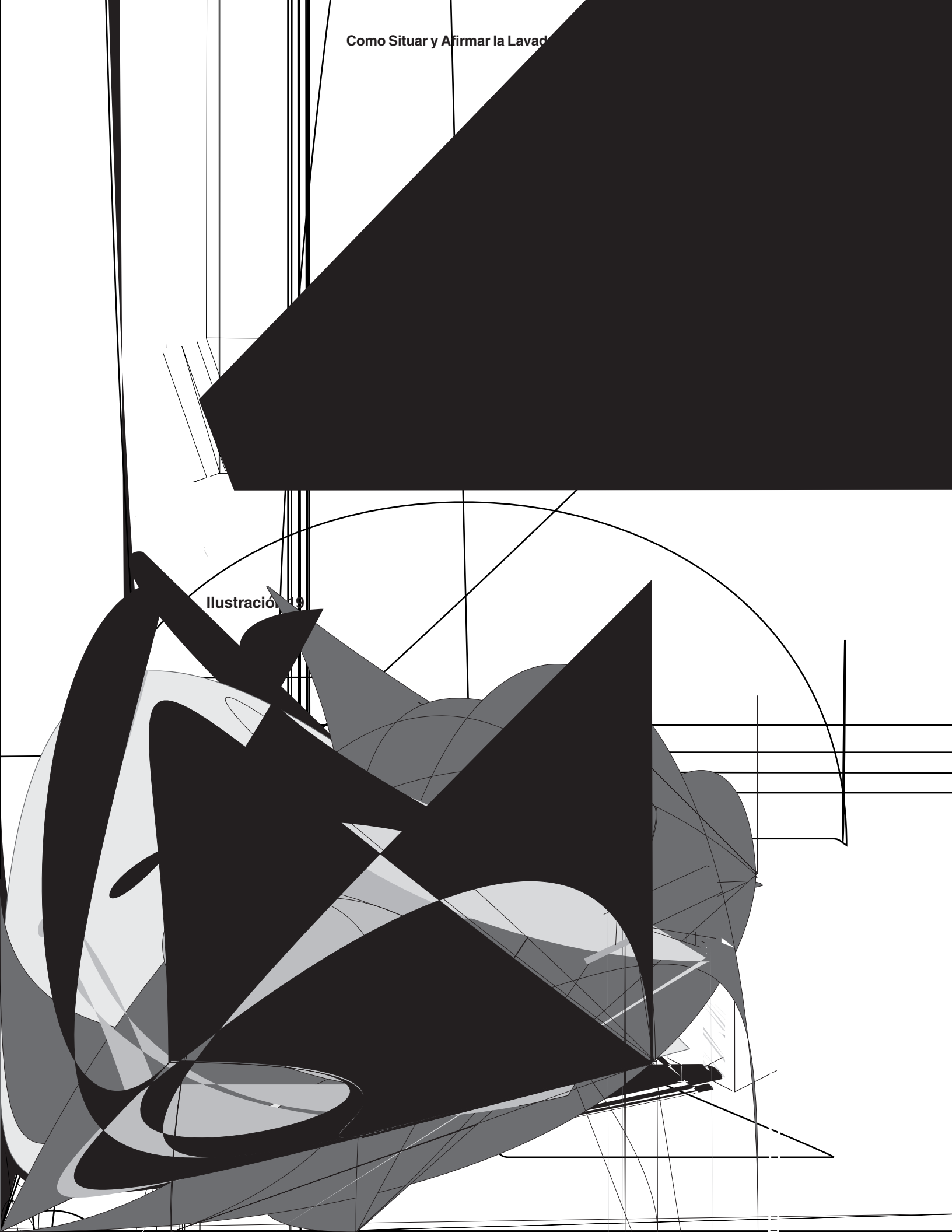


Ilustración 17

-- Ilus. 17 -- Dimensiones	Dimensiones del Panel
D (SHI)	20 11/16" - 25" (de 52.5 cm a 63.5 cm)
E (SHI y SHV)	27 3/16" - 30 5/16" (de 69 cm a 77 cm)
F (SHI y SHV)	23 3/16" - 23 3/8" (de 59 cm a 59.5 cm)

Ilustración 19



Instalación del adaptador de hule para la manguera de desagüe

- 1 Obtenga el adaptador de la manguera de desagüe y las dos abrazaderas de manguera del kit de instalación de la lavadora.
- 2 En un extremo exterior del adaptador de hule para la manguera de desagüe se encuentra una ranura elevada. Inserte la manguera de desagüe en el **extremo sin la ranura elevada**. Asegúrese de insertar la manguera de desagüe completamente.
- 3 Fije la conexión con la abrazadera de resorte plateada.
- 4 Use la abrazadera de tornillo dorada para fijar el adaptador de la manguera de desagüe a la tubería de agua de la casa.

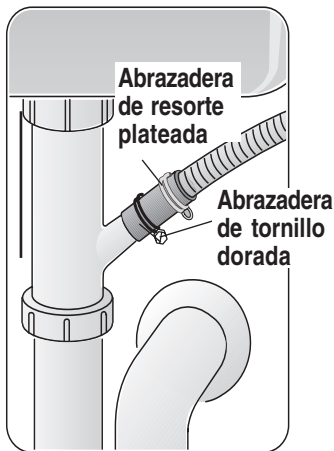


Ilustración 23

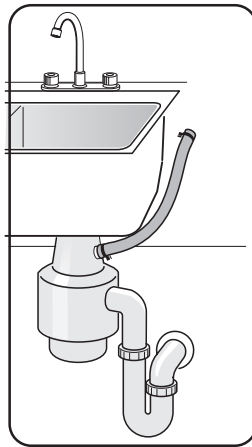


Ilustración 24

Conectar la manguera de desagüe a la tubería de agua

La manguera de desagüe puede conectarse según uno de cuatro métodos:

- 1 Directamente a la conexión de evacuación debajo del fregadero, como muestra la **Ilustración 23**.
- 2 Directamente a la conexión de evacuación para lavadoras de platos en un eliminador de basura, como muestra la **Ilustración 24**.
- 3 A la conexión de evacuación debajo del fregadero y a través de un dispositivo de ventilación, como muestra la **Ilustración 25**.
- 4 A la conexión de evacuación para lavadoras de platos en un eliminador de basura y a través de un dispositivo de ventilación, como muestra la **Ilustración 26**.

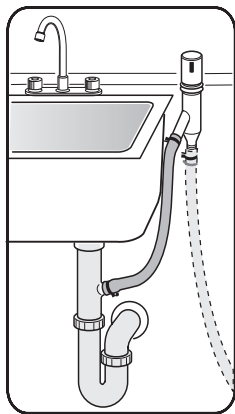


Ilustración 25

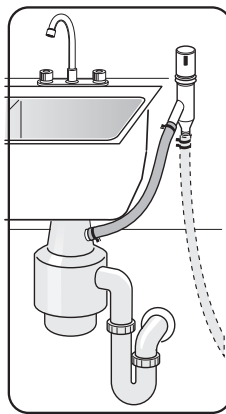


Ilustración 26

Se puede averiguar información referente a la instalación de dispositivos de ventilación y de eliminadores de basura en la sección Preparación - Plomería de este manual.

NOTA: Si se va a conectar la manguera de desagüe de la lavadora a la conexión de desagüe de una trituradora de alimentos, quite el tapón de la conexión de desagüe de la trituradora.

Use las abrazaderas para la manguera de desagüe y el adaptador de la manguera de hule que se incluye para conectar la manguera de desagüe de la lavadora a la conexión de la tubería de desagüe. Use la abrazadera de resorte para fijar el adaptador de la manguera de hule a la manguera de desagüe de la lavadora. Use la abrazadera de tornillo para fijar el adaptador de la manguera de hule a la conexión de desagüe de la tubería de agua.

La manguera de desagüe de la lavadora debe tener un lugar a lo largo de su longitud, que quede fijado al menos 20" (508mm) arriba del piso del gabinete.

CONEXIÓN DE AGUA CALIENTE

⚠ ADVERTENCIA

Corre peligro de escaldarse

Realizar trabajos en una línea de agua caliente presurizada puede causar lesiones serias. Sólo fontaneros calificados deben realizar los trabajos hidráulicos. No trate de realizar ningún tipo de trabajo en la línea de suministro de agua caliente a la lavadora hasta quedar seguro que el suministro de agua caliente esté apagado.

NOTA: Asegúrese de que se instaló el acoplador acodado de 90° (algo que no proporcionamos) adecuado para el tubo de alimentación de agua caliente a la lavadora tal como descrito en la sección Preparación de la Lavadora en este manual.

Se puede conectar el tubo de agua caliente a la lavadora según uno de estos dos métodos:

- 1 Con una manguera con alambre trenzado
- 2 Con tubería de cobre

Manguera trenzada de suministro de la lavadora

Después de realizar las conexiones, prenda el suministro de agua caliente y revise si tiene fugas.

NOTA: Se pueden utilizar las mangueras trenzadas de suministro de la lavadora para extender las líneas pre-existentes de suministro de agua a la lavadora.

Tubo de Cobre

CAUIDADO

Las temperaturas que se requieren para soldar y condensar dañarán la válvula de entrada de agua de la lavadora. Cuando se deban soldar las líneas hidráulicas, mantenga la fuente de calor a una distancia de al menos 6 pulgadas (152.4 mm) de la válvula de entrada de agua de la lavadora.

- Si decide usar acopladores soldados más bien que los de compresión, elabore todas las conexiones soldadas antes de conectar la fuente de agua a la lavadora.
- Cuide de que el tubo de agua no esté doblado o torcido de modo que impide la corriente de agua.
- Asegúrese de usar un compuesto para rosca de tubo o cinta de teflón para sellar la conexión cuando sea necesario.
- Antes de conectar el tubo de cobre para el agua caliente a la lavadora, enjuáguelo con agua caliente para eliminar cualquier material ajeno.
- Abra la fuente de agua para revisar la presencia de fugas después de realizar todas las conexiones.

NOTA: No use sellador para tubos en conexiones de presión.

CONEXIÓN ELÉCTRICA

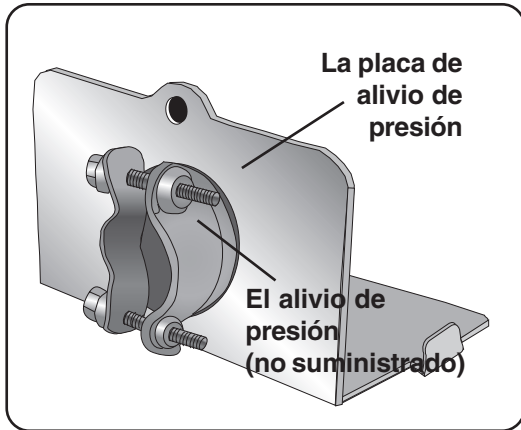


Ilustración 27

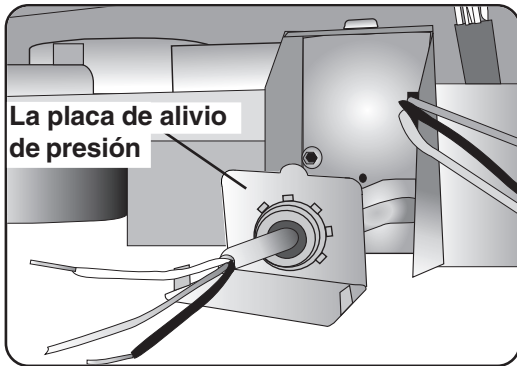


Ilustración 28

⚠ ADVERTENCIA

Corre peligro de choque eléctrico
Trabajar en un circuito activado puede causar lesiones serias o la muerte debido a un choque eléctrico. Sólo eléctricos calificados deben realizar los trabajos eléctricos. No trate de realizar ningún trabajo en el circuito eléctrico de la lavadora hasta que esté seguro que el circuito está desactivado.

⚠ ADVERTENCIA

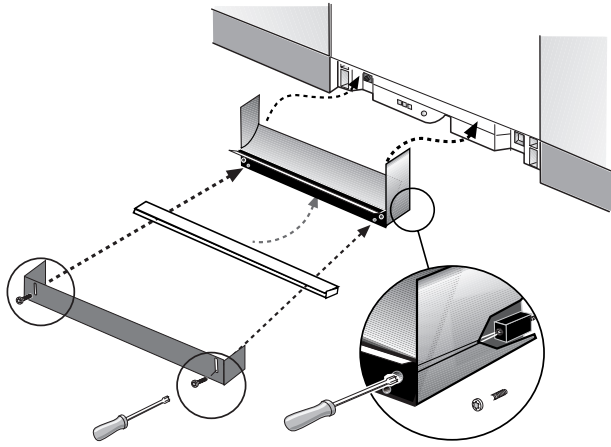
Peligro de incendio
Asegúrese de instalar las conexiones eléctricas correctamente para evitar un fuego. Sólo eléctricos calificados deben realizar los trabajos eléctricos.

Instrucciones para la Puesta a Tierra

La lavadora debe estar propiamente puesta a tierra antes de hacerla funcionar. La máquina debe estar conectada a un sistema de cableo permanente puesto a tierra con un dispositivo metálico. O de otro modo, se conecta el conductor de tierra junto con los conductores del circuito a la borna de puesta a tierra del equipo en la lavadora. Cuide de que la lavadora esté conectada a una puesta a tierra conforme a todos los códigos municipales o, en caso de que no exista un código local, según lo que estipula el código nacional eléctrico [*NATIONAL ELECTRICAL CODE*] en los Estados Unidos o el código canadiense [*CANADIAN ELECTRIC CODE*] C22.1-la última edición en Canadá además de cualquier código provincial/estatal, municipal o local pertinente.

- 1 Recoja la placa de alivio de presión e instale un dispositivo de alivio de presión [*strain relief*] (algo que no proporcionamos) en la apertura de la misma placa.
NOTA: Acomode el alivio de presión tal como indica en la **Ilustración 27**.
- 2 Corra el cable de alimentación eléctrica a través del alivio de presión, como muestra la **Ilustración 28**. Permita que de 3 a 4 pulgadas (de 7.5 cm a 10 cm) de cable aislado se pasen de la placa de alivio de presión.
- 3 Apriete los tornillos del alivio de presión.
- 4 Acomode la placa de alivio de presión por medio de deslizarla hacia adentro de la caja de conexiones, y sujete la placa con los tornillos que incluimos.





||||| 11 001 11 011 11 021 11 031 11 041 11 051 11 061 11 071 11 081 11 091 11 101 11 111 11 121 11 131 11 141 11 151 11 161 11 171 11 181 11 191 11 201 11 211 11 221 11 231 11 241 11 251 11 261 11 271 11 281 11 291 11 301 11 311 11 321 11 331 11 341 11 351 11 361 11 371 11 381 11 391 11 401 11 411 11 421 11 431 11 441 11 451 11 461 11 471 11 481 11 491 11 501 11 511 11 521 11 531 11 541 11 551 11 561 11 571 11 581 11 591 11 601 11 611 11 621 11 631 11 641 11 651 11 661 11 671 11 681 11 691 11 701 11 711 11 721 11 731 11 741 11 751 11 761 11 771 11 781 11 791 11 801 11 811 11 821 11 831 11 841 11 851 11 861 11 871 11 881 11 891 11 901 11 911 11 921 11 931 11 941 11 951 11 961 11 971 11 981 11 991

SERVICIO AL CLIENTE

Su lavadora de platos Bosch no necesita más cuidado especial de lo que se describe en la sección Cuidado y Limpieza del Manual de Uso y Cuidado. Si Ud. experimenta algún problema con su lavadora y antes de que solicite servicio técnico, por favor consulte la sección Autoayuda del Manual de Uso y Cuidado. Si aún necesita servicios técnicos, comuníquese con su distribuidor, el instalador o un centro autorizado en rendir servicios. No intente reparar el aparato usted mismo/a. Cualquier trabajo elaborado por personal no autorizado podría anular la garantía.

En caso de que Ud. tenga algún problema con su lavadora de platos Bosch y que quede insatisfecho/a con el servicio que se elaboró, por favor tome los siguientes pasos (en orden de la lista a continuación) hasta que se corrija el problema de modo que le sea satisfactorio.

1. Comuníquese con su instalador o el Concesionario de Servicios Autorizados por Bosch en su región.
2. Envíenos una carta electrónica por medio de la sección de servicio al cliente [*customer service*] en nuestro sitio web, www.boschappliances.com.
3. Escríbanos a la dirección siguiente:

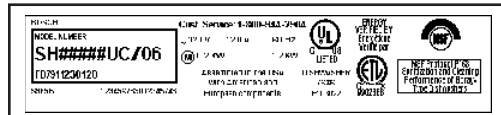
BSH Home Appliances, Corp.
5551 McFadden Avenue
Huntington Beach, CA 92649

4. Llámenos al número telefónico gratuito: 1-800-944-2904.

Por favor incluya (en caso de que nos escriba) o tenga a la mano (en caso de que nos llame) los datos siguientes:

- Número del Modelo [*Model number*]
- Número de Serie [*Serial number*]
- Fecha de la compra del aparato
- Fecha cuando empezó el problema
- Descripción del problema

Además, si nos escribe, por favor presente su número telefónico de día donde le podemos llamar. Usted averiguará la información de los números del modelo y de serie en la placa etiqueta que se encuentra en la orilla derecha en el interior de la puerta de su lavadora. Véase la Ilustración 1. Se ve algo como esto:



Por favor saque una copia de su factura y guárdela con este manual.

